

# Chapter 3

## Using the Remote Control

---

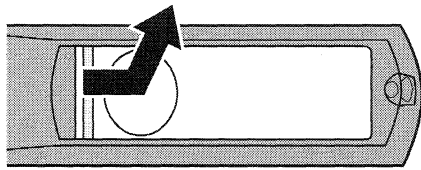
### Controlling other devices

The TV's remote control can operate other devices as described in the IR Blaster section on page 55.

### Installing batteries

**To install batteries:**

- 1 Pull up to open the cover.



*(Sample Illustration) Removing the battery cover*

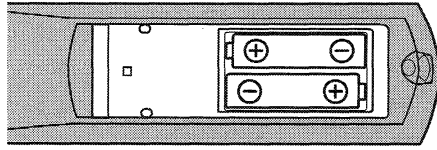
- 2 Install two AA size batteries.

---

---

**NOTE** Use carbon zinc batteries or alkaline batteries.

---



*(Sample Illustration) installing the batteries*

3 Slide on the cover.

---

---

**CAUTION** Do not expose batteries to excessive heat such as sunshine, fire, etc.

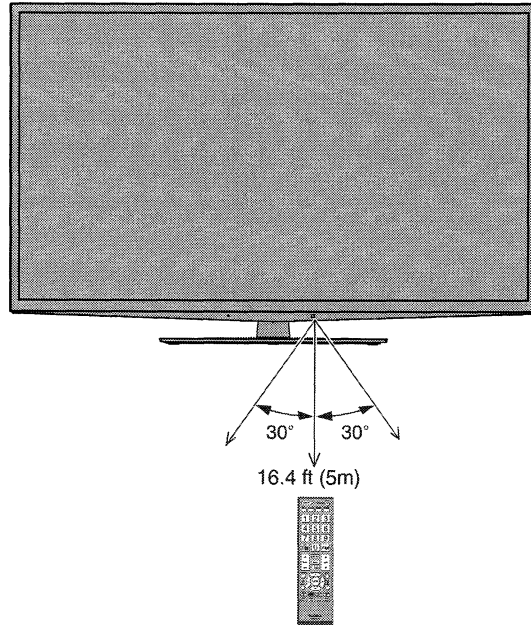
---

- 
- 
- NOTE**
- ❖ Every time you change the batteries, you must reprogram the remote.
  - ❖ Dispose of batteries in a designated disposal area.
  - ❖ Always consider the environment when disposing of batteries. Always follow applicable laws and regulations.
  - ❖ If the remote does not operate correctly, or if the operating range is reduced, replace the batteries.
  - ❖ Always replace both batteries with new ones. Never mix battery types or use new and used batteries together.
  - ❖ Always remove batteries from the remote if they are dead or if the remote control is not to be used for an extended period of time. This prevents battery acid from leaking into the battery compartment
-

## Remote control effective range

- 1 For optimum performance, aim the remote control directly at the TV and make sure there are no obstructions between the remote control and the TV.

42/47/55"

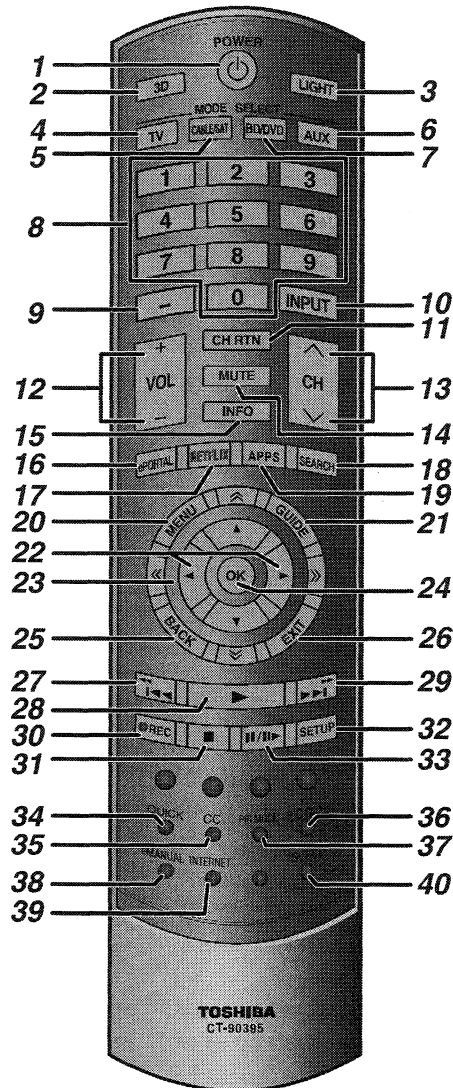


*(Sample Illustration) Remote control effective range*

## Learning about the remote control

Only the buttons used to operate the TV are described in this section.

For the HDMI® CEC Control functions, see “Using HDMI® CEC Control” on page 97.



(Sample Illustration) Remote control overview

**NOTE** The L6200U series remote has no **LIGHT** button. The **LIGHT** button is only available on the L7200U series remote.

**NOTE** The error message “NOT AVAILABLE” may appear if you press a key for a function that is not available.

| <i>Item:</i> | <i>Description:</i>            | <i>Function:</i>  | <i>Item:</i> | <i>Description:</i>            | <i>Function:</i>  |
|--------------|--------------------------------|---|--------------|--------------------------------|---|
| 1            | POWER button                   | Turns the TV On and Off.<br>When the TV is on, the power LED indicator on the TV front glows green. | 21           | GUIDE button                   | Launches the MediaGuide application on-screen.  |
| 2            | 3D button                      | Accesses the 3D options.  | 22           | (◀/▶) buttons                  | Selects on-screen menu options.   |
| 3            | Light button<br>(Model L7200U) | Illuminates the keypad for five seconds.  | 23           | (▲/▼/◀/▶)                      | Selects or adjusts programming buttons menus when a menu is on-screen.                  |
| 3            | Sleep button<br>(Model L6200U) | Accesses the sleep timer.   | 24           | OK button                      | Selects the highlighted items on the screen.  |
| 4            | TV button                      | Switches to the TV input assigned to each mode key: <b>TV, CABLE/SAT, BD/DVD, or AUX.</b>           | 25           | BACK button                    | Returns to the previous screen.   |
| 5            | Cable/Satellite button         |   | 26           | EXIT button                    | Closes on-screen menus.   |
| 6            | Auxiliary button               |   | 27           | REWIND button                  | Short press rewinds/fast forwards.<br>Long press skips back/forward and plays playback. |
| 7            | BD/DVD button                  |   | 28           | PLAY button                    |   |
| 8            | Channel Number buttons (0-9)   | Directly tunes channels.  | 29           | FAST FOWARD                    |   |
| 9            | (-) button                     | Enters 2-part channel numbers.  | 30           | REC button                     | Used for TV, Cable/Sat, BD/DVD, Aux devices   |
| 10           | INPUT button                   | Selects the video input source.   | 31           | STOP button                    | Stops playback  |
| 11           | CH RTN button                  | Returns to the last viewed channel or source.   | 32           | SETUP button                   | Used for TV, Cable/Sat, BD/DVD, Aux devices   |
| 12           | VOL (+/-) buttons              | Adjusts the volume level.   | 33           | PAUSE button                   | Pauses playback   |
| 13           | CH (▲/▼) buttons               | Cycles through programmed channels.   | 34           | QUICK button                   | Launches the Quick menu.  |
| 14           | MUTE button                    | Reduces or turns off the sound.   | 35           | CC button                      | Accesses the closed-caption feature.  |
| 15           | INFO button                    | Displays TV status information as well as program details, when available.                          | 36           | PIC SIZE button                | Cycles through the picture sizes.   |
| 16           | ePORTAL button                 | Launches the ePortal page on-screen.  | 37           | PIC MODE button                | Selects the picture mode.   |
| 17           | NETFLIX button                 | Launches the Netflix® application on-screen.  | 38           | eMANUAL button                 | Launches the eMANUAL application on-screen. Internet connection required.               |
| 18           | SEARCH button                  | Accesses the SearchAll function.  | 39           | INTERNET button                | Launches the web browser on-screen.   |
| 19           | APPS button                    | Launches the Apps window on-screen.   | 40           | SLEEP button<br>(Model L7200U) | Accesses the sleep timer.   |
| 20           | MENU button                    | Accesses the main TV menu system.   |              |                                |   |

- 4 Scan again.

## IR Blaster Setup

During the Initial Setup, the IR Blaster screen will appear with the message, “IR Blaster setup will now begin. If you wish to skip, please select Skip.”

To start the IR Blaster setup, select **Next** on the screen, or to skip the setup, select **Skip**. If you wish to skip this setup, you can setup the IR Blaster at any time through the PREFERENCES menu.

---

**NOTE** The IR Blaster may not work with some devices, and it may not control certain features on your external devices.

---

- 1 The IR Blaster Setup screen will appear and you must choose what devices to setup.
- 2 Select the **Add** button on the screen to add devices.
- 3 The IR Blaster Setup Add devices screen will appear. The Device Type field will be highlighted.
- 4 Use the (◀/▶ arrow) buttons to select:
  - ❖ Cable Box
  - ❖ Satellite Box
  - ❖ VCR
  - ❖ Blu-ray, DVD Player
  - ❖ Audio
  - ❖ CD Player
  - ❖ Video Accessory

The first column on the screen lists the subsequent fields including: Brand, Select Device, Model Name, TV Input, etc.
- 5 Use the (▲/▼ arrow) buttons to select the options in the second column that correspond to the IR device currently being setup. Some fields will have screens with selectable lists of items, while other fields may require using the keyboard to enter the information.
- 6 To select the Code Set, use the (◀/▶ arrow) buttons to select the codes set for the device.