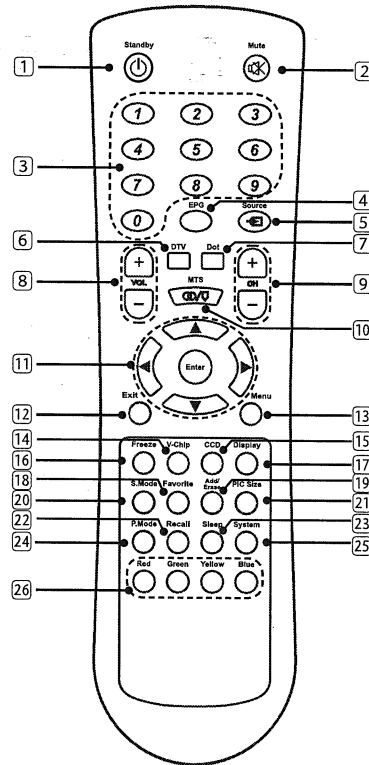


# SCOTT

10. **S-Video INPUT:** Connects to the S-Video out jack of your VCR or other video equipment that has S-Video.  
**S-Video Audio Input:** Connect the audio input terminal to the audio output terminal of the S-Video output device.
11. **Video Input:** Connect the component video input terminal to the video output terminal of the video output device.  
**Video Audio Input:** Connect the audio input terminal to the audio output terminal of the Video output device.

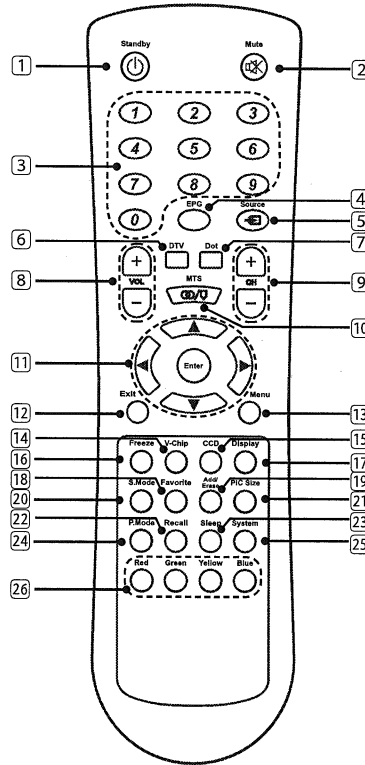
## 4.4 Remote Control

- 1 **Power** (⏻): Press to turn on and off.
- 2 **Mute** (🔇): Press to mute the sound. Press again or press **VOL+/-** to restore the sound.
- 3 **0~9 Number Buttons:** In TV mode, press 0~9 to select a channel; the channel changes after 2 seconds.
- 4 **EPG:** Press to display EPG (Electronic Program Guide) menu.
- 5 **Source** (📺): Press to select the signal sources.
- 6 **DTV:** Press to select Digital TV mode.
- 7 **Dot:** Press number buttons with it to select the channels directly in DTV.
- 8 **VOL +/-:** Press to adjust the volume.
- 9 **CH +/-:** Press to changes channels.
- 10 **MTS:** Press to repeatedly to cycle through the Multi-channel TV sound (MTS) options. Such as Stereo, Mono, or Separate Audio Program (SAP broadcast).
- 11 **◀,▲,▼,▶, Enter:** Press **◀,▲,▼,▶** to move the on-screen cursor. To select an item, press **Enter** to confirm.
- 12 **Exit:** Press to return or exit the OSD menu.
- 13 **Menu:** Press to display the OSD menu.
- 14 **V-Chip:** Press to select the child protect mode.



# Operating Instructions

- 15 **CCD**: Press to select the Closed Caption mode.
- 16 **Freeze**: Press to freeze the picture, press again to restore the picture. (This button is not available for VGA mode.)
- 17 **Display**: Press to display the channel information and it disappear after 3 seconds.
- 18 **Favorite**: Press repeatedly to cycle through the favorite channel list.
- 19 **Add/Erase**: Press to add or delete favorite channel.
- 20 **S.Mode**: Adjust the TV sound by selecting one of the preset factory settings, such as Normal, News, Cinema, Concert, or User.
- 21 **PIC.Size**: Press to change the screen size, such as Full, 4:3, Panoramic. (Note: In VGA mode, it can select picture size is Full. While in DTV mode, it can select picture size is: Full and 4:3. )
- 22 **Recall**: Press to return to previous channel.
- 23 **Sleep**: Press to sleep a time for the TV to turn off automatically, such as 15Min, 30Min, 60Min, 90Min, 120Min and, OFF. To cancel sleep time, press Sleep repeatedly until sleep OFF appears.
- 24 **P.Mode**: Adjust the TV picture by selecting one of the preset factory settings, such as Hi-Bright, User, Cinema, Normal and Vivid.
- 25 **System**: Press repeatedly to cycle through the system options: AUTO, NTSC3.58 and PAL. (This button is activate for AV, S-Video input source.)
- 26 **Color Buttons**:
- Red**: Press this button to access the red item or page.
  - Blue**: Press this button to access the blue item or page.
  - Green**: Press this button to access the green item or page.
  - Yellow**: Press this button to access the yellow item or page.





# SCOTT

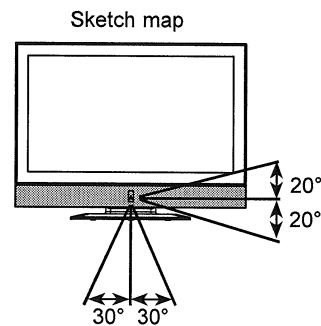
---

## Insertion of Batteries

- Turn the remote control upside down, press and slide off the battery cover.
- Insert two 1.5V (AAA) batteries into the compartment, take care to observe the  $\oplus$  and  $\ominus$  markings indicated inside.
- Replace the cover and slide in reverse until the lock snaps.

## Range of Remote Control

- Ensure the remote control is pointed towards the Remote control window on the display unit.
- No obstacles should be placed between the remote control and the remote control window.
- The effective receiving range for the signal is within 5-8 meters from the front of the remote control window, and  $30^\circ$  to the left or right side and  $20^\circ$  above or below the control window.



## Care For Remote Control

- Avoid spilling liquids on the remote.
- Avoid dropping or otherwise jarring the remote.
- Always store the remote control at dry and normal room temperature place.
- If the remote is not performing satisfactorily, replace the batteries. The batteries should be replaced after one year.
- If the remote control will be idled for a long time (above 1 month) take out the batteries to avoid leakage from the batteries.
- Clean up the entire remote control especially the battery compartment if any leakage found.
- Do not mix using different kind of new and used batteries together to avoid leakage.