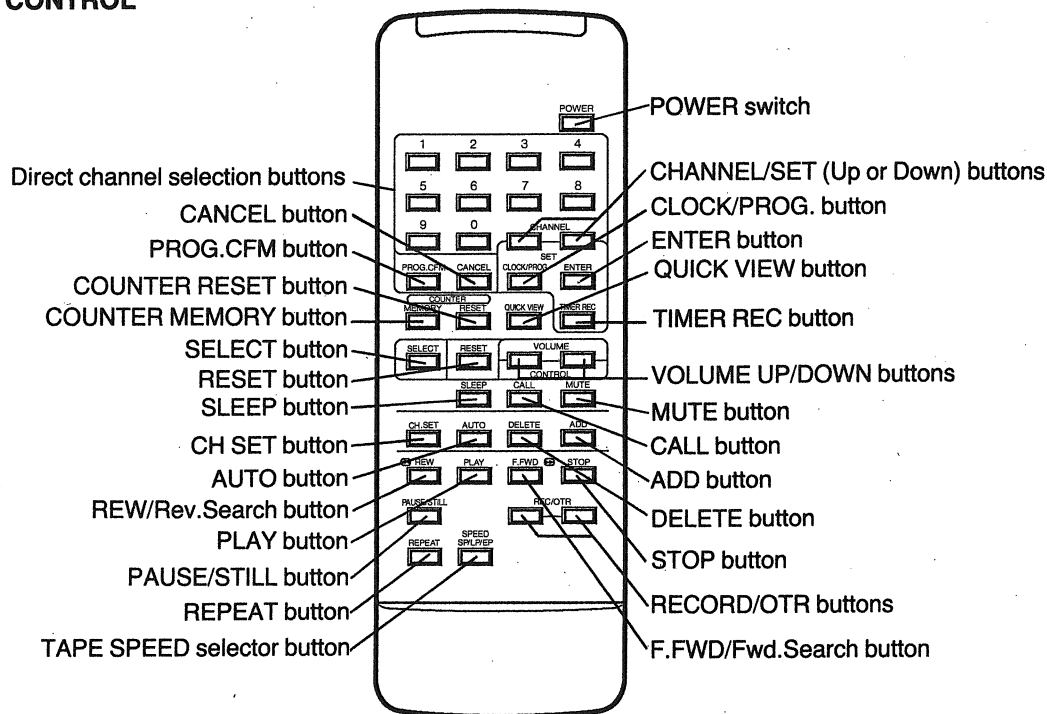


REMOTE CONTROL



DESCRIPTION OF BUTTONS

Direct channel selection buttons (0-9)- Allows direct access to any TV channel.

CANCEL button- Used to cancel the TIMER RECORDING and ON/OFF TIMER settings.

PROG.CFM button- Used to confirm the programmed TIMER RECORDING and ON/OFF TIMER settings.

COUNTER RESET button- Used to reset the tape counter to 0000 .

COUNTER MEMORY button- Used to stop the tape when the counter reaches 0000.

SELECT button- Selects the On-Screen picture adjustments.

RESET button- Used to reset the On-Screen picture adjustments.

SLEEP button- Sets the TV to turn off automatically after up to 120 minutes.

CH SET button- Used to set TV channels into memory.

AUTO button- Used with the CH SET button to set channels into memory.

REW/Rev. Search button- In the Stop mode, this button rapidly winds the tape backwards. In the Play mode, this button activates Review Search.

PLAY button- Same as front panel control.

PAUSE/STILL button- If pressed during playback, it pauses the tape and displays a still picture on the TV screen. If pressed during recording, it pauses the recording until pressed again.

REPEAT button- When pressed, the TV/VCR will play back the tape over and over until stopped manually.

TAPE SPEED selector button- Sets the tape speed for recording.

POWER switch- Same as front panel control.

CHANNEL/SET(Up or Down)buttons- Used to select a channel for viewing or recording. Also used to set the TIMER RECORDING, CLOCK and ON/OFF TIMER.

CLOCK/PROG. button- Press to bring up the menu screen for TIMER RECORDING, CLOCK SETTING and ON/OFF TIMER SETTING.

ENTER button- Used to enter information for TIMER RECORDING, CLOCK SETTING and ON/OFF TIMER SETTING.

QUICK VIEW button- Switches between the last channel viewed and the present channel.

TIMER REC button- Sets the VCR to start recording at a preset time.

VOLUME UP/DOWN buttons- Same as front panel controls.

MUTE button- Used to instantly turn off the sound from the TV.

CALL button- Displays the present time, channel and counter on the TV screen.

ADD button- Used to add a channel into memory.

DELETE button- Used to delete a channel from memory.

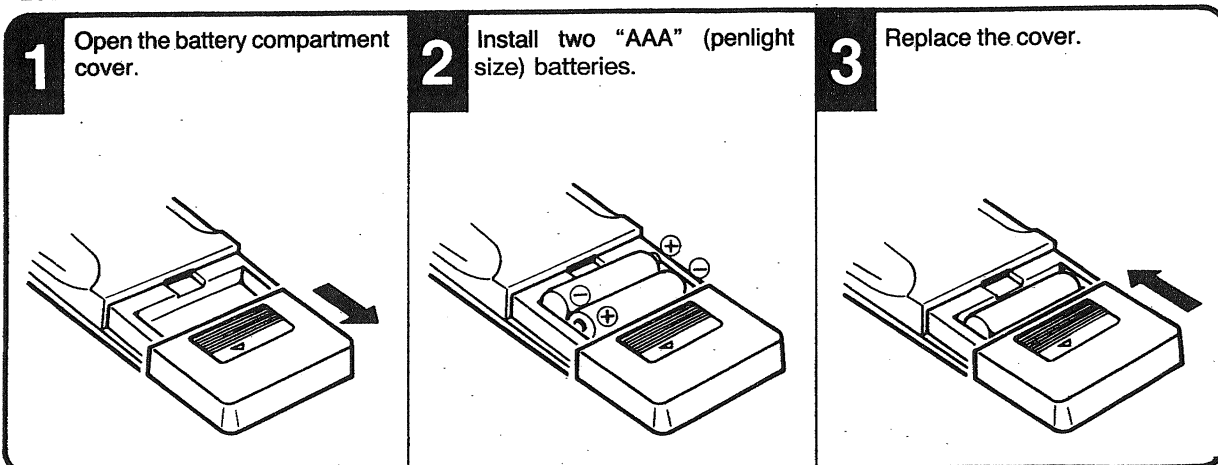
STOP button- Press to stop the tape.

RECORD/OTR buttons- Same as front panel control.

F.FWD/Fwd.Search button- In the Stop mode, this button rapidly winds the tape forward. In the Play mode, this button activates Forward Search.

REMOTE CONTROL

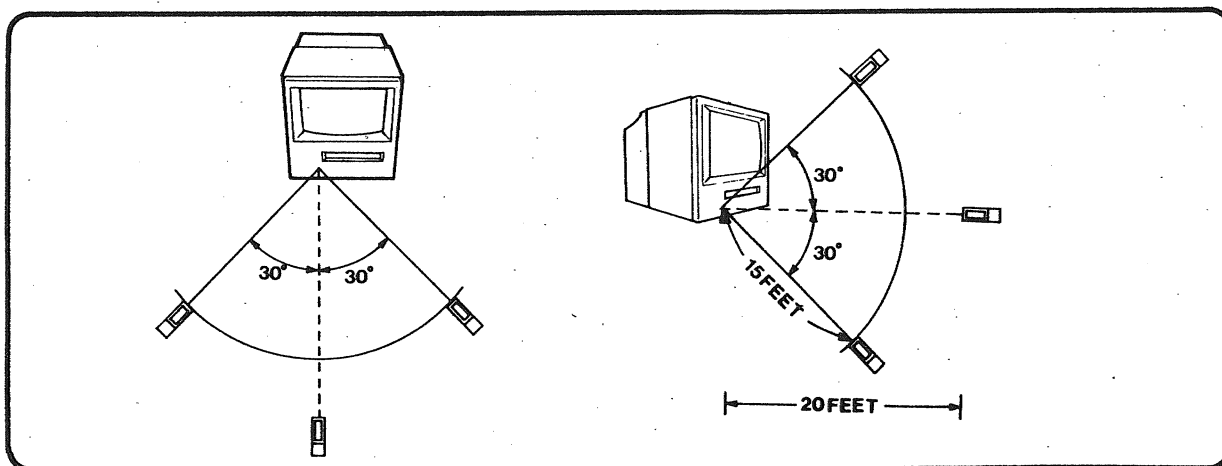
BATTERY INSTALLATION



BATTERY CAUTIONS

- Use two "AAA" size penlight batteries for the transmitter.
- The batteries may last approximately one year depending how much the remote control is used. For best performance it is recommended batteries be replaced on a yearly basis, or when remote operation becomes erratic.
- Do not mix old and new batteries or different types.
- Weak batteries can leak and severely damage the remote control transmitter. Always remove batteries as soon as they become weak.

EFFECTIVE DISTANCE OF THE REMOTE CONTROL TRANSMITTER



- NOTE:**
- When direct sunlight, an incandescent lamp, fluorescent lamp or any other strong light shines on the Remote sensor, the remote operation may be unstable.
 - When there is an obstacle between the TV/VCR and the transmitter, the remote control transmitter may not operate.
 - If you subscribe to a cable service which requires you to use a converter/descrambler box, follow the connections shown on page 11. When the switch is in the "A" position, the remote control cannot be used to change channels. In order to change channels with the remote control, the switch must be in the "B" position.