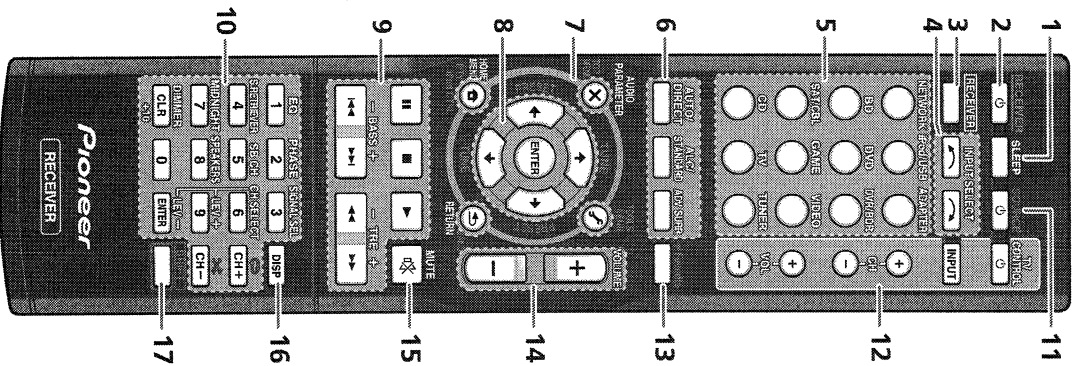


Remote control



- 1 SLEEP**
Press to change the amount of time before the receiver switches into standby (**30 min – 60 min – 90 min – Off**). You can check the remaining sleep time at any time by pressing **SLEEP** once.
 - 2 RECEIVER**
Switches the receiver between standby and on.
To switch **ZONE 2** on/off, press and hold **SHIFT** button, then press **RECEIVER** button.
 - 3 RECEIVER**
Switches the remote to control the receiver (used to select the white commands above the number buttons (**MIDNIGHT**, etc)). Also use this button to set up surround sound (page 46) or Audio parameters (page 36).
 - 4 INPUT SELECT**
Use to select the input source (page 25).
 - 5 Input function buttons**
Use to select the input source to this receiver (page 25). This will enable you to control other components with the remote control (page 55).
 - 6 Listening mode buttons**
AUTO/DIRECT – Switches between Auto surround mode (page 39) and Stream Direct playback (page 34).
ALC/STANDARD SURR – Press for standard decoding and to switch between the modes of **DD** Pro Logic II, **DD** Pro Logic IIx, **DD** Pro Logic IIz and **NEO:6**, and the Auto level control stereo mode (page 33).
ADV SURR – Switches between the various surround modes (page 34).
 - 7 Receiver and component control buttons**
The following button controls can be accessed after you have selected the corresponding input function button (**BD, DVD**, etc.).
Press **RECEIVER** first to access:
AUDIO PARAMETER – Use to access the Audio options (page 36).
HOME MENU – Press to access the Home Menu (page 46).
RETURN – Confirm and exit the current menu screen.
-
- Press **BD, DVD** or **DVR/BD-R** first to access:
TOP MENU – Displays the disc 'top' menu of a Blu-ray Disc/DVD.
HOME MENU – Displays the HOME MENU screen.
RETURN – Confirm and exit the current menu screen.
MENU – Displays the TOOLS menu of Blu-ray Disc player.
Press **TUNER** first to access:
TOOLS – Memorizes stations for recall (page 32), also used to change the name (page 32).
BAND – Switches between AM, FM ST (stereo) and FM MONO radio bands (page 32).
Press **iPod/USB** first to access:
iPod CTRL – Switches between the iPod controls and the receiver controls (page 27).
• **PTY** button is not used with this receiver.
 - 8 ↑/↓/←/→ (TUNE ↑/↓, PRESET ←/→), ENTER**
Use the arrow buttons when setting up your surround sound system (page 46). Also used to control Blu-ray Disc/DVD menus/options.
Use **TUNE ↑/↓** can be used to find radio frequencies and **PRESET ←/→** can be used to select preset radio stations (page 32).
 - 9 Component control buttons**
The main buttons (**▶, ■**, etc.) are used to control a component after you have selected it using the input function buttons. The controls above these buttons can be accessed after you have selected the corresponding input function button (**BD, DVD** and **CD**). These buttons also function as described below.
Press **RECEIVER** first to access:
BASS +/-, TRE +/- – Use to adjust Bass or Treble.
• These controls are disabled when the listening mode is set to **DIRECT** or **PURE DIRECT**.
• When the front speaker is set at **SMALL** in the Speaker Setting (or automatically via the Auto MCACC setup) and the X.Over is set above 150 Hz, the subwoofer channel level will be adjusted by pressing **BASS +/-** (page 47).

10 Number buttons and other component controls

Use the number buttons to directly select a radio frequency (page 32) or the tracks on a CD, etc. There are other buttons that can be accessed after **RECEIVER** is pressed. (For example **MIDNIGHT**, etc.)

EQ – Press to switch on/off Acoustic Calibration EQ setting (page 34).

PHASE – Press to switch on/off Phase Control (page 35).

SIGNAL SEL – Press to select the audio input signal of the component to play back (page 25).

S.RETRIEVER – Press to restore CD quality sound to compressed audio sources (page 34).

SB CH – Press to select **ON AUTO** or **OFF** the surround back channel (page 35).

CH SELECT – Press repeatedly to select a channel, then use **LEV +/-** to adjust the level (page 48).

LEV +/- – Use to adjust the channel level.

MIDNIGHT – Switches to Midnight or Loudness listening (page 35).

SPEAKERS – See *Switching the speaker terminal on page 13*.

DIMMER – Dims or brightens the display. The brightness can be controlled in four steps.

11 SOURCE
Press to turn on/off other components connected to the receiver (page 53).

12 TV CONTROL buttons
These buttons are dedicated to control the TV assigned to the TV button. Thus if you only have one TV to hook up to this system assign it to the **TV** button (page 53).

ψ – Use to turn on/off the power of the TV.

INPUT – Use to select the TV input signal.

CH +/- – Use to select channels.

VOL +/- – Use to adjust the volume on your TV.

13 +Favorite
Press while a song is being played back or stopped. The selected song is then registered in the Favorites folder (page 40).

14 VOLUME +/-
Use to set the listening volume.

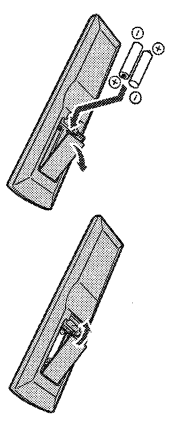
15 MUTE
Mutes/unmutes the sound.

16 DISP
Switches the display of this unit. The listening mode, sound volume, Speaker System setting or input name can be checked by selecting an input source.

• The Speaker System setting may or may not be displayed, depending on the input source you have selected.

17 [SHIFT]
This button is used for operating ZONE 2 (page 54).

Loading the batteries



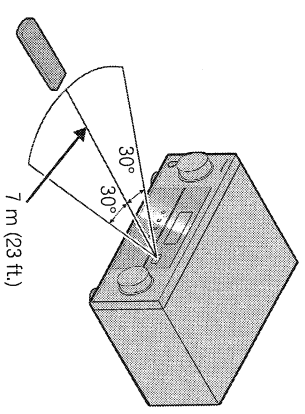
The batteries included with the unit are to check initial operations; they may not last over a long period. We recommend using alkaline batteries that have a longer life.

CAUTION

- Incorrect use of batteries may result in such hazards as leakage and bursting. Observe the following precautions:
 - Never use new and old batteries together.
 - Insert the plus and minus sides of the batteries properly according to the marks in the battery case.
 - Batteries with the same shape may have different voltages. Do not use different batteries together.
 - When disposing of used batteries, please comply with governmental regulations or environmental public institution's rules that apply in your country or area.
 - Do not use or store batteries in direct sunlight or other excessively hot place, such as inside a car or near a heater. This can cause batteries to leak, overheat, explode or catch fire. It can also reduce the life or performance of batteries.

Operating range of remote control
The remote control may not work properly if:

- There are obstacles between the remote control and the receiver's remote sensor.
- Direct sunlight or fluorescent light is shining onto the remote sensor.
- The receiver is located near a device that is emitting infrared rays.
- The receiver is operated simultaneously with another infrared remote control unit.



Setting the remote to control other components

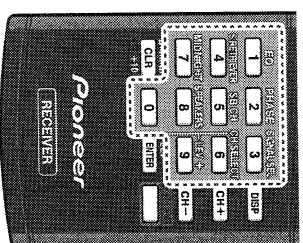
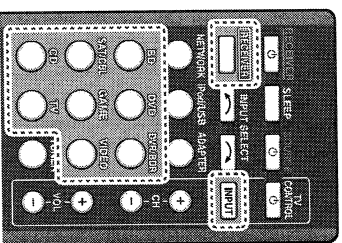
Most components can be assigned to one of the input function buttons using the component's manufacturer preset code stored in the remote.

However, please note that there are cases where only certain functions may be controllable after assigning the proper preset code, or the codes for the manufacturer in the remote control will not work for the model that you are using.

Note

- **TV CONTROL** buttons are only dedicated to control the TV (for example, codes for TV, CATV, Satellite TV or DTV).
- You can cancel or exit any of the steps by pressing **RECEIVER**.
- After one minute of inactivity, the remote automatically exits the operation.

Selecting preset codes directly



- 1 While pressing **RECEIVER**, press and hold the '1' button for three seconds.

- 2 Press the input function button for the component you want to control.

- The component can be assigned to the **BD, DVD, DVR/ BDR, SAT/CBL, GAME, VIDEO, CD, or TV** button.
- When assigning preset codes to **TV CONTROL**, press **INPUT** here.

- 3 Use the number buttons to enter the preset code.

You can find the preset codes on [page 56](#). If the correct code has been input the power of the component being input will turn on or off. The power of the component being input will only turn on or off if that component is able to be turned on directly by remote control.

- 4 Repeat steps 2 through 3 to try a different code, or to enter a code for another component you want to control.

- 5 When you're done, press **RECEIVER**.

Clearing all the remote control settings

You can clear all presets and restore the factory default settings.

- ▶ While pressing **RECEIVER**, press and hold the '0' button for three seconds.

Default preset codes

Input function button	Preset code
BD	2 2 5 5
DVD	2 2 5 6
DVR/BDR	2 2 5 7
SAT/CBL	6 3 2 5
GAME	5 0 0 3
VIDEO	6 0 9 9
CD	5 0 0 0
TV	0 2 9 1
TV CONTROL	0 2 9 1