

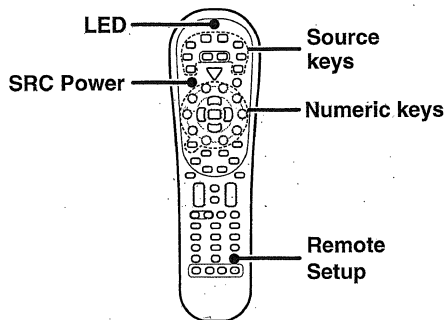
Basic remote control operations for other components

The remote control supplied with this receiver is also capable of controlling components from a variety of manufacturers once you register the appropriate setup codes into the remote control unit.

Low battery warning

Replace all two batteries with new ones when you notice a shortening of the distance from which the remote control will operate. The remote control is designed to retain setup codes in memory while you change batteries.

Registering setup codes for other components



1 Find the setup code of the component to be registered.

- Refer to the setup code lists to find the setup code for the component to be registered. — 35

Example: To register a DVD made by KENWOOD, you would enter "0534".

| Input | Component | Maker | Code | Key |
|-------|------------|---------|------|-----|
| (DVD) | DVD player | KENWOOD | 0534 | DVD |
| | | | | |

| Source key | Other components |
|---------------|---|
| TUNER | Receiver (Kenwood) |
| DVD/6CH | DVD (other manufacturers') |
| CD/DVD | CD and MD (Kenwood) |
| MD/Tape | Cassette deck (Kenwood) |
| VID1 / AV AUX | VCR and PVR (other manufacturers') |
| VID2 | Cable and DTV decoder (other manufacturers') |
| VID3 | DSS (other manufacturers') |
| PHONO | Additional key for re-assigning |
| TV | TV/VCR combo, TV/DVD combo, TV (other manufacturers') |

2 Press the source keys (DVD/6CH, CD/DVD, VID1, VID2, VID3, TV, MD/TAPE, AV AUX, PHONO).

- PHONO key has to be re-assigned to another key before a setup code can be registered. — 34
- While in Tuner mode, setup code function will not be available.

3 Press and hold the Remote Setup key until the LED blinks twice, then release the Remote Setup key.

4 Press the numeric key to enter the four-digit code for the component to be registered.

- If performed correctly, the LED will blink twice.
- Point the remote control at the component and press SRC Power key once. It should turn on/off but if it does not, repeat step 2 to 4
- If the component still does not work, try searching for the code.

5 Repeat steps 2 to 3 to register additional components until all components have been registered.

Note

Although each setup code is designed to work with a number of different models, certain codes may not work with some models. (Also, certain codes may only operate some of the functions available on a given model.)

Searching for your codes

If your component does not respond after trying all the codes listed for your component, or if your component is not listed at all, try searching for your code.

For example, to search for code for your TV:

1 Press the TV key once. Next, press and hold the Remote Setup key until the LED blinks twice, then release the Remote Setup key.

2 Press the numeric key to enter "9 - 9 - 1".

- The LED will blink twice.

3 Point the remote control at the TV and slowly alternate between pressing the SRC Power and TV keys.

- Stop when the TV turns on or off.
- In the search mode, the remote control will send IR codes from its library to the selected device, starting with the most popular code first.

4 Press the Remote Setup key once to lock in the code.

5 To search for the codes of your other components, repeat steps 1 through 4, but substitute the appropriate key (i.e., DVD/6CH, CD/DVD, VID1, VID2, VID3, TV, MD/TAPE, AV AUX, PHONO).

- PHONO key has to be re-assigned to another key before a setup code can be programmed.

Checking the codes

If you have setup the remote control using the procedures described in "Searching for your codes", you may need to find out which four-digit code is operating your equipment:

For example, to find out which code is operating your TV:

1 Press the TV key once. Next, press and hold the Remote Setup key until the LED blinks twice, then release the Remote Setup key.

2 Press the numeric key to enter "9 - 9 - 0".

- The LED will blink twice.

3 To view the code for the first digit, press "1" once. Wait for 3 seconds, counts the number of times the LED blinks (e.g., blinks=3) and write down that number.

- If a code digit is "0", the LED will not blink.

4 Repeat step 3 three more times for the remaining digits. Use "2" for the second digit, "3" for the third digit, and "4" for the fourth digit.

5 To check the codes of your other components, repeat steps 1 through 4, but substitute the appropriate key (i.e., DVD/6CH, CD/DVD, VID1, VID2, VID3, TV, MD/TAPE, AV AUX, PHONO) for the component you are checking.

- As suggested earlier on, write down each of the four-digit code.
- PHONO key has to be re-assigned to another key before a setup code can be programmed.

Re-assigning device keys

The remote control can be setup to control second TV or VCR, or any combination of eight home entertainment components.

For example, to control the operation of two different VCR using the remote control, the user need to re-assign the unused VID2 key to operate the second VCR(VID1) as follows:

1 Press and hold the Remote Setup key until the LED blinks twice, then release the Remote Setup key.

2 Press the numeric key to enter "9 - 9 - 2".

- The LED will blink twice.

3 Press VID1 key once, then press the VID2 key once.

- The user now can operate VID2 as a second VCR along with VID1.
- Refer to the table in the previous page for the combination of source keys and the other components assignment. --(33)

4 To re-assign other device keys, repeat steps 1 through 3 by substituting the key sequence from the below chart for the most popular components:

To re-assign key

| Sequence | Perform |
|------------------------|--|
| TV as 2nd VID1 key | Remote Setup - 9 - 9 - 2 VID1 - TV |
| TV as 2nd VID2 key | Remote Setup - 9 - 9 - 2 VID2 - TV |
| TV as 2nd CD/DVD key | Remote Setup - 9 - 9 - 2 CD/DVD - TV |
| TV as 2nd TV key | Remote Setup - 9 - 9 - 2 TV - TV |
| VID1 as 2nd TV key | Remote Setup - 9 - 9 - 2 TV - VID1 |
| VID1 as 2nd VID2 key | Remote Setup - 9 - 9 - 2 VID2 - VID1 |
| VID1 as 2nd CD/DVD key | Remote Setup - 9 - 9 - 2 CD/DVD - VID1 |
| VID1 as 2nd VID1 key | Remote Setup - 9 - 9 - 2 VID1 - VID1 |

5 To clear the re-assignment and reset the remote control to its original operation mode:

1 Press and hold the Remote Setup key until the LED blinks twice, then release the remote setup key.

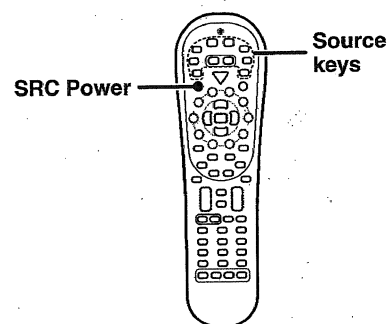
2 Press the numeric key to enter "9 - 9 - 2".

3 Press VID2 key twice.

- When a re-assignment is done, the LED will blink twice to confirm your choice. At that time, you will need to program the remote control in order to control the new component.
- If an invalid key sequence is entered, the LED blink once and return to normal operation.
- When in Tuner mode, re-assignment is not available.

Operating other components

This operation lets you operate the registered components. KENWOOD audio components with system control turn on and off automatically with the receiver via the system control connections.



1 Use the source keys to select the component you desire.

- Pressing the source keys also changes the input selector on the receiver.
- When you operate your registered cassette, CD or DVD player, Cable, DSS, DTV Decoder, VCR or TV, go to step 2.
- When you operate the CD player, Cassette deck, MD player, or Tuner with system control connection, go to step 2.

2 Press the SRC Power key.

- To return to the receiver operation mode, press the TUNER key for more than 3 seconds.

3 Press the operation keys you desire. --(39)

The remote control mode remains at the selected input. If you wish to operate another component, repeat step 1 or 2.

Note

- Be sure to point the remote control at the remote sensor on the receiver when you want to operate KENWOOD components connected by system control cords. Otherwise, point the remote control at the component you want to operate.
- To initialize the remote control, press the Remote Setup key until the LED blinks twice. Then press the numeric key to enter "9-8-1". The LED will blink twice.

Setup code chart

VCR setup codes

| Maker | Setup Codes |
|------------------------|--|
| Admiral | 0048, 0209 |
| American High | 0035 |
| Bell & Howell | 0104 |
| Broksonic | 0121, 0184, 0209 |
| Canon | 0035 |
| Carver | 0081 |
| Craig | 0047 |
| Curtis Mathes | 0035, 0060, 0162, 0760 |
| Daewoo | 0045 |
| Denon | 0042 |
| Emerex | 0032 |
| Emerson | 0043, 0121, 0184, 0209 |
| Fisher | 0047, 0104 |
| Fuji | 0033, 0035 |
| GE | 0035, 0060, 0760 |
| HI-Q | 0047 |
| Harman/Kardon | 0081 |
| Hitachi | 0042 |
| Hughes Network Systems | 0042 |
| JVC | 0067 |
| Kenwood | 0067 |
| Kodak | 0035 |
| MEI | 0035 |
| MGA | 0043 |
| Magnavox | 0035, 0039, 0081, 0563 |
| Marantz | 0035, 0081 |
| Matsushita | 0035, 0162 |
| Memorex | 0035, 0039, 0047, 0048, 0104, 0162, 0209 |
| Minolta | 0042 |
| Mitsubishi | 0043, 0067 |
| Motorola | 0035, 0048 |
| NEC | 0067, 0104 |
| Olympus | 0035 |
| Optimus | 0048, 0104, 0162, 1048, 1062 |
| Orion | 0184, 0209 |
| Panasonic | 0035, 0162, 0225, 0616, 1062 |
| Penney | 0035, 0042 |
| Pentax | 0042 |
| Philco | 0035, 0209 |
| Philips | 0035, 0081, 0618, 1081, 1181 |
| Pioneer | 0067 |
| Polk Audio | 0081 |
| Proscan | 0060, 0760 |
| Pulsar | 0039 |
| Quasar | 0035, 0162 |
| RCA | 0042, 0060, 0760 |
| Realistic | 0035, 0047, 0048, 0104 |
| ReplayTV | 0614, 0616 |
| Runco | 0039 |
| STS | 0042 |
| Samsung | 0045 |
| Sanky | 0039, 0048 |
| Sansui | 0067, 0209 |

| Maker | Setup Codes |
|--------------------|--|
| Sanyo | 0047, 0104 |
| Scott | 0043, 0045, 0121, 0184 |
| Sears | 0035, 0042, 0047, 0104 |
| Semp | 0045 |
| Sharp | 0048 |
| Sonic Blue | 0614, 0616 |
| Sony | 0032, 0033, 0035, 0636, 1032 |
| Sylvania | 0035, 0043, 0081 |
| Technics | 0035, 0162 |
| Teknika | 0035 |
| Tivo | 0618, 0636 |
| Toshiba | 0043, 0045 |
| Vector | 0045 |
| Video Concepts | 0045 |
| Wards | 0035, 0042, 0047, 0048, 0060, 0081, 0760 |
| White Westinghouse | 0209 |
| XR-1000 | 0035 |
| Zenith | 0033, 0039, 0209 |

Cable setup codes

| Maker | Setup Codes |
|--------------------|------------------------------------|
| ABC | 0003, 0008, 0014, 0017 |
| Americast | 0899 |
| Bell & Howell | 0014 |
| Bell South | 0899 |
| Director | 0476 |
| General Instrument | 0003, 0276, 0476, 0810 |
| GoldStar | 0144 |
| Hamlin | 0009, 0273 |
| Jerrold | 0003, 0012, 0014, 0276, 0476, 0810 |
| Memorex | 0000 |
| Motorola | 0276, 0476, 0810, 1106 |
| Pace | 0237 |
| Panasonic | 0000, 0107 |
| Paragon | 0000 |
| Philips | 0305, 0317 |
| Pioneer | 0144, 0533, 0877, 1877 |
| Pulsar | 0000 |
| Quasar | 0000 |
| Regal | 0273, 0279 |
| Runco | 0000 |
| Samsung | 0144 |
| Scientific Atlanta | 0008, 0017, 0477, 0877, 1877 |
| Sony | 1006 |
| Starcom | 0003 |
| Supercable | 0276 |
| Tocom | 0012 |
| Torx | 0003 |
| Toshiba | 0000 |
| Zenith | 0000, 0525, 0899 |

Setup code chart

TV setup codes

| Maker | Setup Codes |
|----------------|--|
| AOC | 0019, 0030 |
| Admiral | 0093, 0463 |
| Adventura | 0800 |
| Aiko | 0092 |
| Aiwa | 0701, 0800, 0802 |
| Akai | 0030 |
| Alaron | 0179 |
| America Action | 0180 |
| Ampro | 0751 |
| Anam | 0180 |
| Apex Digital | 0748, 0765, 0767 |
| Asha | 0804 |
| Audiovox | 0092, 0180, 0451, 0623, 0802 |
| Baysonic | 0180 |
| Belcor | 0019 |
| Bell & Howell | 0016, 0154 |
| Beaumarck | 0804 |
| Bradford | 0180 |
| Brockwood | 0019 |
| Broksonic | 0236, 0463, 0817, 0901 |
| CXC | 0180 |
| Calix | 0802 |
| Candle | 0030, 0056 |
| Carnivale | 0030 |
| Carver | 0054 |
| Celebrity | 0000 |
| Changhong | 0765 |
| Cineral | 0092, 0451 |
| Citizen | 0030, 0056, 0060, 0092, 0802, 0816 |
| Concerto | 0056 |
| Contec | 0180 |
| Craig | 0180, 0802, 0804 |
| Crosley | 0054 |
| Crown | 0180 |
| Curtis Mathes | 0016, 0030, 0047, 0054, 0056, 0060, 0093, 0145, 0154, 0166, 0451, 0466, 0747, 0809, 1147, 1347 |
| Cybernex | 0804 |
| Daewoo | 0019, 0092, 0451, 0623, 0816 |
| Daytron | 0019 |
| Denon | 0145 |
| Dumont | 0017, 0019 |
| Dynatech | 0800 |
| Dwin | 0720, 0774 |
| Electroband | 0000 |
| Electrohome | 0802 |
| Electroponic | 0802 |
| Emerson | 0019, 0154, 0178, 0179, 0180, 0236, 0463, 0623, 0800, 0802, 0816, 0817 |
| Envision | 0030 |
| Fisher | 0154 |
| Fujitsu | 0179, 0683 |
| Funai | 0171, 0179, 0180, 0800 |
| Futuretech | 0180 |
| Garrard | 0800 |

| Maker | Setup Codes |
|-----------------|--|
| GE | 0021, 0047, 0051, 0178, 0251, 0451, 0747, 0804, 0807, 0809, 0811, 1147, 1347 |
| Gibraltar | 0017, 0019, 0030 |
| GoldStar | 0019, 0030, 0178, 0802, 0814 |
| Gradiente | 0053, 0056, 0800 |
| Grunpy | 0179, 0180 |
| Hallmark | 0178 |
| Harley Davidson | 0179, 0800 |
| Harman/Kardon | 0054 |
| Harvard | 0180 |
| Havermy | 0093 |
| Hitachi | 0016, 0056, 0145, 0800 |
| Infinity | 0054 |
| Inteq | 0017 |
| JBL | 0054 |
| JCB | 0000 |
| JVC | 0053 |
| KEC | 0180, 0802 |
| KTV | 0030, 0180 |
| Kenwood | 0019, 0030 |
| Kodak | 0802 |
| Konka | 0632, 0628, 0638, 0703, 0707 |
| LG | 0056 |
| LXI | 0047, 0054, 0154, 0156, 0178, 0747, 0802 |
| Logik | 0016 |
| Luxman | 0056 |
| Lloyd's | 0800 |
| MGA | 0019, 0030, 0150, 0178, 0804 |
| MTC | 0019, 0030, 0056, 0060, 0800, 0804 |
| Magnavox | 0030, 0054, 0179, 0800, 0818, 1254, 1454 |
| Magnasonic | 0816 |
| Magnin | 0804 |
| Majestic | 0016 |
| Marantz | 0030, 0054 |
| Marta | 0802 |
| Matsushita | 0250 |
| Megatron | 0145, 0178 |
| Memorex | 0016, 0150, 0154, 0178, 0179, 0250, 0463, 0800, 0802, 0804, 0810, 0812, 0814, 0815 |
| MGN Technology | 0804 |
| Midland | 0017, 0047, 0051, 0747 |
| Minutz | 0021 |
| Mitsubishi | 0019, 0093, 0150, 0178, 0807 |
| Motorola | 0093 |
| Multitech | 0180, 0800 |
| NAD | 0156, 0166, 0178 |
| NEC | 0019, 0030, 0056, 0497 |
| NTC | 0092 |
| Nikko | 0030, 0092, 0178, 0802 |
| Noblex | 0804 |
| Onwa | 0180 |
| Optimus | 0154, 0166, 0250, 0802, 0812, 0815 |
| Optonica | 0093 |

Setup code chart

| Maker | Setup Codes |
|-------------|--|
| Orion | 0179, 0236, 0463, 0817 |
| Panasonic | 0051, 0250, 0809, 0812, 0815, 0907, 0908 |
| Penney | 0019, 0021, 0030, 0047, 0051, 0060, 0156, 0178, 0747, 0802, 0804, 0809, 0814, 1347 |
| Philco | 0019, 0030, 0054, 0145, 0463 |
| Philips | 0054, 0904, 1454 |
| Pilot | 0019, 0030, 0802 |
| Pioneer | 0166, 0679 |
| Portland | 0019, 0092 |
| Princeton | 0717 |
| Prism | 0051 |
| Proscan | 0047, 0747, 0811 |
| Profitronic | 0804 |
| Proton | 0178, 0466 |
| Pulsar | 0017, 0019 |
| Quasar | 0051, 0250, 0809, 0812 |
| RCA | 0019, 0047, 0090, 0679, 0747, 0804, 0807, 0809, 0811, 0905, 1047, 1147, 1247, 1347, 1447, 1547 |
| RadioShack | 0019, 0030, 0047, 0056, 0154, 0178, 0180, 0747, 0800, 0810 |
| Radix | 0802 |
| Randex | 0802 |
| Realistic | 0019, 0030, 0056, 0154, 0178, 0180, 0800, 0802 |
| Runco | 0017, 0030, 0251, 0497, 0603 |
| SSS | 0019, 0180 |
| Sampo | 0030 |
| Samsung | 0019, 0030, 0056, 0060, 0178, 0766, 0804 |
| Sansei | 0451 |
| Sansui | 0463, 0800, 0817, 0901 |
| Sanyo | 0154, 0804 |
| Scimitsu | 0019 |
| Scotch | 0178 |
| Scott | 0019, 0178, 0179, 0180, 0236 |
| Sears | 0047, 0054, 0056, 0154, 0156, 0171, 0178, 0179, 0747, 0800, 0802, 0814 |
| Semivox | 0180 |
| Semp | 0156 |
| Sharp | 0093, 0688, 0689, 0807, 0900 |
| Shogun | 0019, 0804 |
| Signature | 0016 |
| Sony | 0000, 0800, 0813 |
| Soundesign | 0178, 0179, 0180 |
| Squareview | 0171 |
| Starlite | 0180 |
| Supreme | 0000 |
| Sylvania | 0030, 0054, 0171, 0800, 0818, 0903 |
| Symphonic | 0171, 0180, 0800 |
| TMK | 0056, 0178, 0804 |
| TNCi | 0017 |
| Tandy | 0093 |
| Teac | 0800 |
| Technics | 0051, 0250 |
| Technol Ace | 0179 |

| Maker | Setup Codes |
|--------------------|--|
| Techwood | 0051, 0056 |
| Teknika | 0016, 0019, 0054, 0056, 0060, 0092, 0150, 0179, 0180, 0800, 0802 |
| Telefunken | 0056 |
| Thomas | 0800 |
| Toshiba | 0060, 0154, 0156, 0901, 0906, 1256 |
| Totevision | 0802, 0804 |
| Unitech | 0804 |
| Vector Research | 0030 |
| Victor | 0053 |
| Videomagic | 0802 |
| Vidikron | 0054, 0242 |
| Vidtech | 0019, 0178 |
| Videosonic | 0804 |
| Villian | 0800 |
| Wards | 0016, 0019, 0021, 0030, 0054, 0056, 0178, 0179, 0800, 0804 |
| Waycon | 0156 |
| White Westinghouse | 0463, 0623, 0816 |
| XR-1000 | 0800 |
| Yamaha | 0019, 0030, 0769 |
| Zenith | 0016, 0017, 0092, 0463, 0800, 0817 |

DSS setup codes

| Maker | Setup codes |
|-----------------------|------------------------------------|
| Alpha Star | 0772 |
| Chaparral | 0216 |
| Crossdigital | 1109 |
| Dishpro | 0775, 1005 |
| Echostar | 1005, 0775 |
| Expressvu | 0775 |
| GE | 0566 |
| GOI | 0775 |
| General Instrument | 0869 |
| HTS | 0775 |
| Hitachi | 0819 |
| Hughes Network System | 0749, 1749, 1142 |
| JVC | 0775 |
| Magnavox | 0722, 0724 |
| Memorex | 0724 |
| Mitsubishi | 0749 |
| Motorola | 0869 |
| Next Level | 0869 |
| Panasonic | 0247, 0701 |
| Paysat | 0724 |
| Philips | 1076, 1142, 0722, 0724, 0749, 1749 |
| Proscan | 0392 |
| RCA | 0566, 0392, 0143, 0855 |
| RadioShack | 0869 |
| SKY | 0856 |
| Samsung | 1109 |
| Sony | 0639 |
| Star Choice | 0869 |
| Toshiba | 0749, 0790, 1749 |
| Uniden | 0724, 0722 |
| Zenith | 0856, 1856 |

Setup code chart

DVD player Setup codes

| Maker | Setup Codes |
|----------------|--|
| Aiwa | 0641 |
| Apex Digital | 0672, 0717, 0755, 0794, 0795, 0796, 0797, 0830 |
| Blue Parade | 0571 |
| DVD2000 | 0521 |
| Daewoo | 0784 |
| Denon | 0490, 0634 |
| Emerson | 0591 |
| Enterprise | 0591 |
| Fisher | 0670 |
| GE | 0522, 0717, 0815 |
| GPX | 0769 |
| Go Video | 0715 |
| Gradiente | 0651 |
| Greenhill | 0717 |
| Harman/Kardon | 0582, 0702 |
| Hitachi | 0573, 0664 |
| Hiteker | 0672 |
| JBL | 0702 |
| JVC | 0558, 0623 |
| KLH | 0717 |
| Kenwood | 0490, 0534, 0682 |
| Konka | 0711 |
| Koss | 0651 |
| Magnavox | 0503, 0675 |
| Marantz | 0539 |
| Microsoft | 0522 |
| Mintek | 0717 |
| Mitsubishi | 0521 |
| Nesa | 0717 |
| Onkyo | 0503 |
| Oritron | 0651 |
| Panasonic | 0490, 1490 |
| Philips | 0503, 0539, 0646 |
| Pioneer | 0525, 0571 |
| Polk Audio | 0539 |
| Proscan | 0522 |
| RCA | 0522, 0571, 0717 |
| Rowa | 0823 |
| Sampo | 0698 |
| Samsung | 0573 |
| Sanyo | 0670 |
| Shinsonic | 0533 |
| Sony | 0533 |
| Sylvania | 0675 |
| Technics | 0490 |
| Theta Digital | 0571 |
| Toshiba | 0503 |
| Urban Concepts | 0503 |
| Yamaha | 0490, 0539, 0545 |
| Zenith | 0503, 0591 |

DTV decoders setup codes

| Maker | Setup Codes |
|-----------------|-------------|
| Panasonic | 1120 |
| Pioneer | 1010 |
| Princeton | 0113, 0295 |
| Samsung | 1190 |
| Sensory Science | 1126 |
| Sharp | 1010 |

Cassette deck Setup codes

| Maker | Setup Codes |
|---------|--|
| Kenwood | 0070, 0071, 0092, 0183, 0205, 0233, 0234, 0251, 0386 |

Receiver setup codes

| Maker | Setup Codes |
|---------|-------------|
| Kenwood | 1570 |

CD and MD players setup codes

| Maker | Setup Codes |
|---------|--|
| Kenwood | 0028, 0037, 0190, 0338, 0339, 0340, 0523, 0626, 0677, 0681, 0826, 0858, 0859, 1490 |

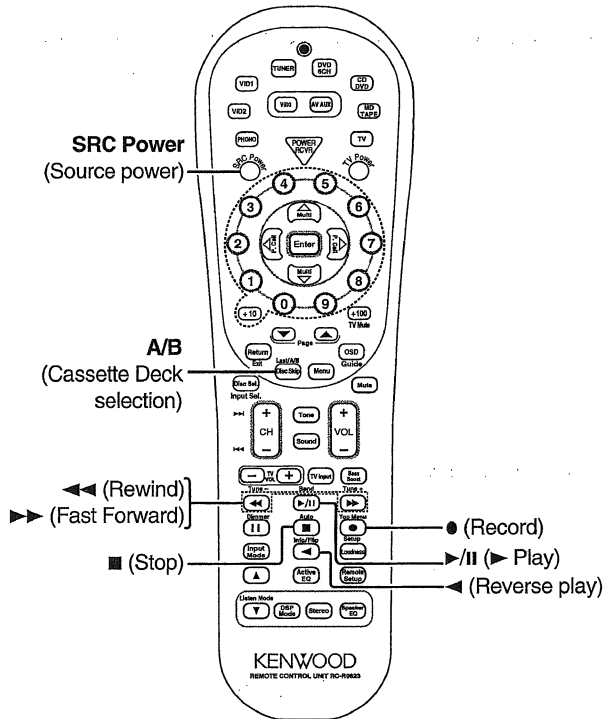
Setup codes for Kenwood components with System Control connection

| Component | Setup Codes |
|---------------|-------------|
| CD | 1338 |
| MD | 1339 |
| Cassette deck | 1340 |

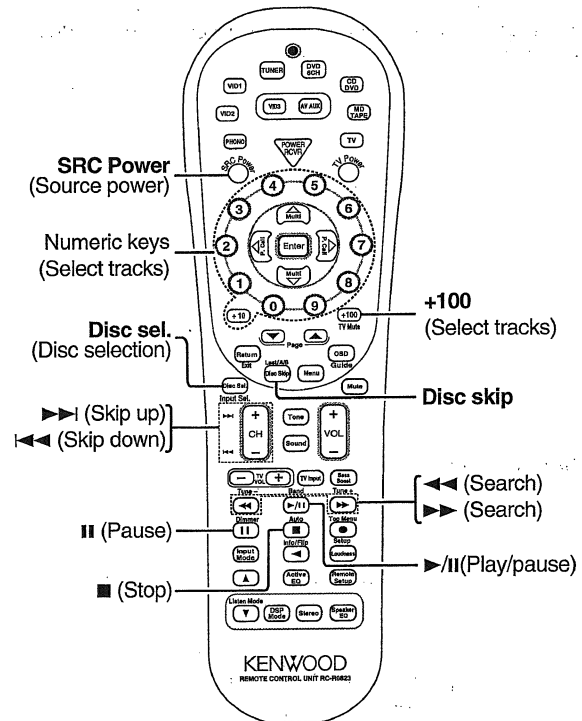
CASSETTE deck, CD player & MD recorder operations

You can perform these basic operations using the keys described below when connected to KENWOOD cassette deck, CD player or MD recorder equipped with system control operations. --17

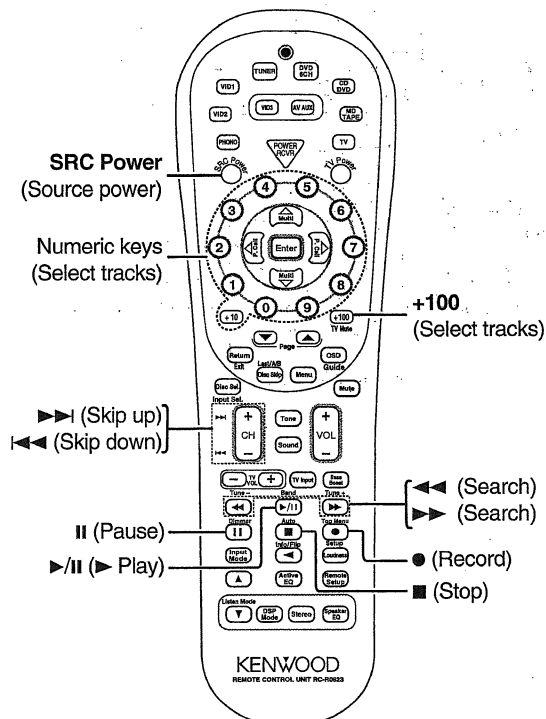
Cassette deck operations keys



CD player operation keys



MD recorder operation keys



Other components' operations

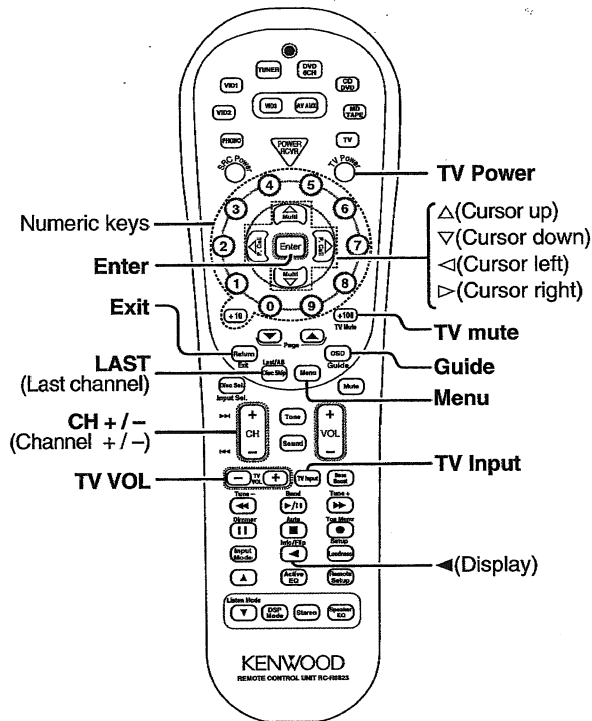
Refer to the following for the type of remote control operations available for each component.

- ❶ Select the input source.
- ❷ Press the keys corresponding to the operations you desire. Refer to the following sections for details.

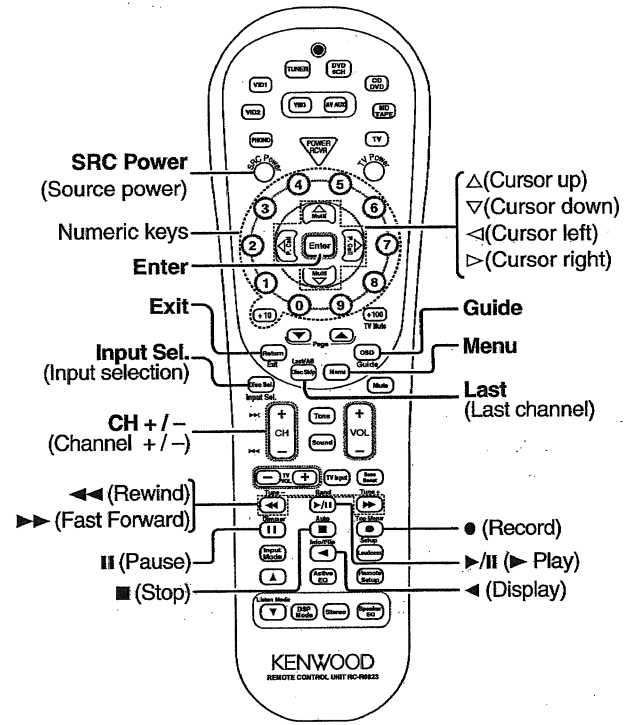
- When pressing keys in succession, press each key firmly and be sure to wait at least 1 second before pressing the next key.
- Numeric keys function the same as the numeric keys on the original remote.

These keys can be used to perform the basic operations of KENWOOD and other manufacturers' components which the setup code for each component had been entered beforehand. → 35

TV operation keys

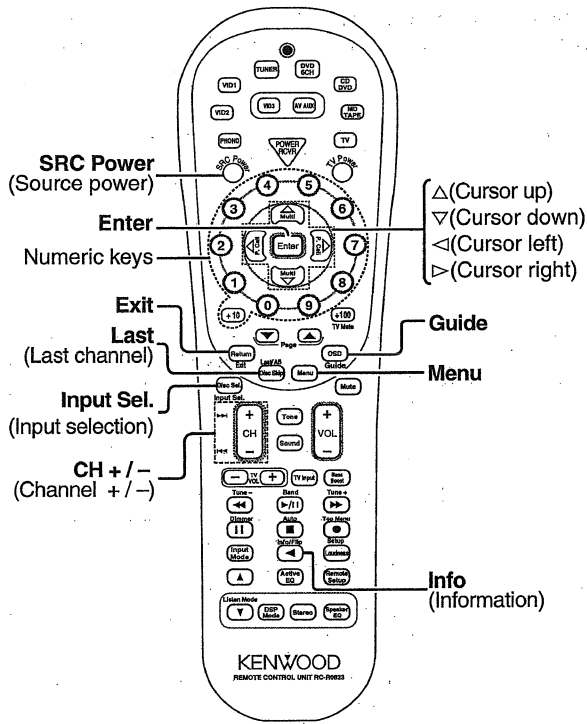


VCR operation keys

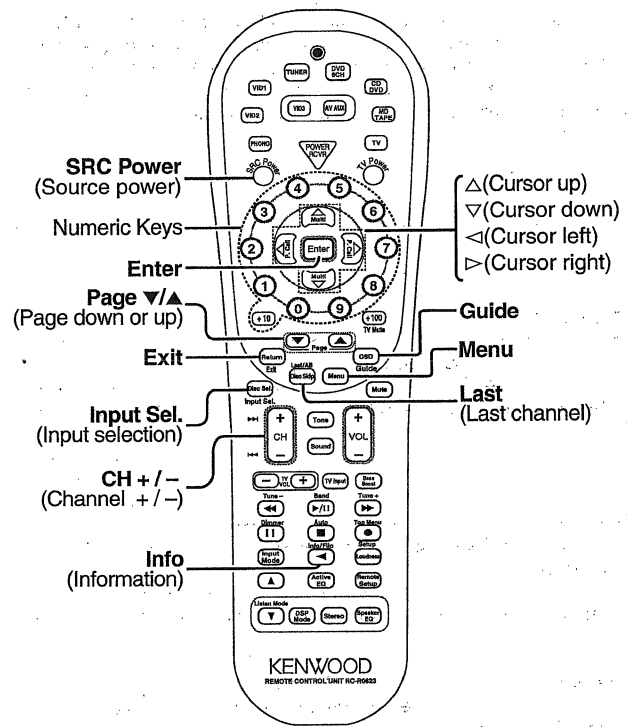


Basic remote control operations for other components

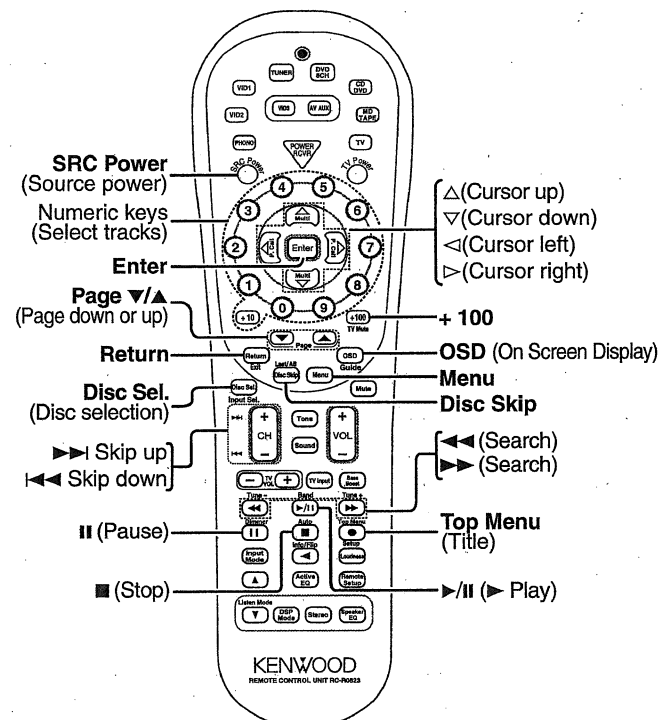
DSS operation keys



Cable operation keys



DVD player operation keys



Notes

1. Certain codes may only operate some of the function available on a given model.
2. The above show the typical type functions available for each component. Some manufacturers use different key combinations to perform similar functions. For that reason, we have programmed extra functions on some of the unused number keys to help you control your equipment.