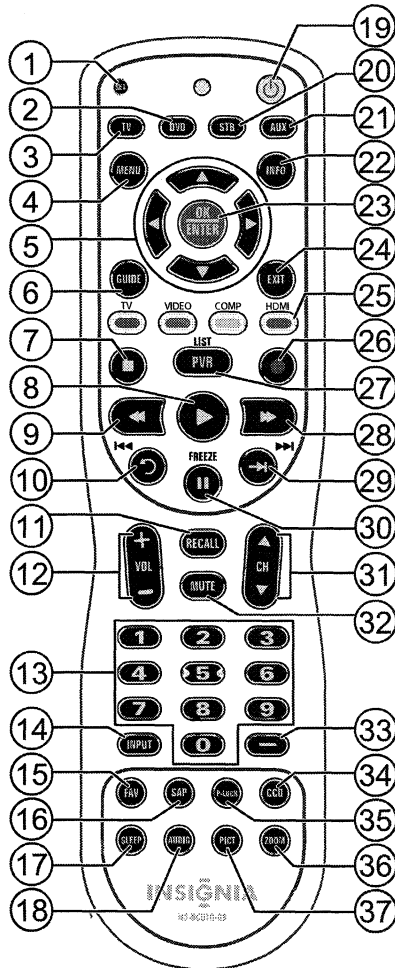


Remote control



#	Button	Description
1	SET	Press to program the remote control to control connected devices. For more information, see "Programming your remote control" on page 31.
2	DVD	Press to control a connected DVD player. You must program the remote control before this button works. For more information, see "Programming your remote control" on page 31.
3	TV	Press to control your TV.
4	MENU	Press to open the on-screen menu.
5	◀▶▲▼	Press to move left, right, up, or down in on-screen menus.
6	GUIDE	Press to display the program guide. For more information, see "Displaying additional information" on page 17.
7	■ (stop)	Press to stop playback on DVD, DVR, PVR, or CD devices. You need to program the remote control to control connected devices. For more information, see "Programming your remote control" on page 31.
8	▶ (play)	Press to start playback on DVD, DVR, PVR, or CD devices. You need to program the remote control to control connected devices. For more information, see "Programming your remote control" on page 31.

#	Button	Description
9	◀◀ (fast reverse)	Press to fast reverse on DVD, DVR, PVR, or CD devices. You need to program the remote control to control connected devices. For more information, see "Programming your remote control" on page 31.
10	◀◀ / ▶▶ (skip back)	In DVD, DVR, PVR, or CD mode, press to skip back to the previous title or track. You need to program the remote control to control connected devices. For more information, see "Programming your remote control" on page 31.
11	RECALL	In TV mode, press to return to the previous channel.
12	VOL+ / VOL-	Press to increase or decrease the volume.
13	Numbers	When programming the remote control, press to enter device and programming codes.
14	INPUT	Press to open the Source List, then press ▲ or ▼ to cycle through the available input sources. For more information, see "Selecting the video input source" on page 15.
15	FAV	Press to open the Favorite Channel list. For more information, see "Setting up a favorite channel list" on page 21.
16	SAP	In analog TV mode, press to select Stereo , Mono or SAP . In digital TV mode, press to select the audio track (language). For more information, see "Adjusting the sound" on page 18.
17	SLEEP	Press to set the sleep timer. You can select Off , 5 , 10 , 15 , 30 , 60 , 90 , 120 , 180 , or 240 minutes. For more information, see "Setting the sleep timer" on page 29.
18	AUDIO	When the Equalizer option is turned on, press to toggle among different Equalizer modes. When the Equalizer option is turned off, toggle to adjust the treble, bass, or SRS TruSurround HD. For more information, see "Adjusting the sound" on page 18.
19	⏻ (power)	Press to turn your TV on or off (standby mode). When your TV is off, power still flows into it. To disconnect power, unplug the power cord.
20	STB	Press to control a connected set-top box.
21	AUX	Press to control a connected device. You need to program the remote control to control connected devices. For more information, see "Programming your remote control" on page 31.
22	INFO	Press to display TV status information, such as the channel number, channel name (if available), or signal source. For more information, see "Displaying additional information" on page 17.
23	OK/ENTER	Press to confirm selections or changes.
24	EXIT	Press to close the on-screen menu.
25	Video input buttons	TV —Press to select TV as the video source. VIDEO —Press one or more times to select the device connected the AV 1 VIDEO , AV 2 VIDEO , or S-VIDEO jack. COMP —Press one or more times to select the device connected to the COMPONENT 1 or COMPONENT 2 video jacks. HDMI —Press one or more times to select the device connected to the HDMI 1 , HDMI 2 , HDMI 3 , or HDMI 4 jack. For more information, see "Selecting the video input source" on page 15.
26	● (record)	In DVD, DVR, PVR, or CD mode, press to begin recording. You need to program the remote control to control connected devices. For more information, see "Programming your remote control" on page 31.

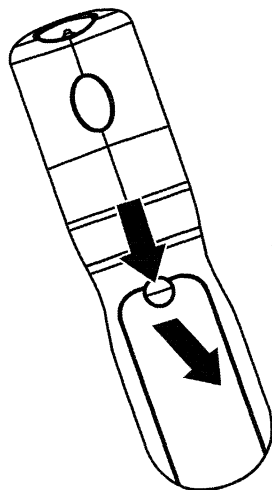
#	Button	Description
27	PVR/LIST	Press to list all the recorded programs in a PVR/STB. You need to program the remote control to control connected devices. For more information, see "Programming your remote control" on page 31.
28	▶▶ (fast forward)	Press to fast forward on DVD, DVR, PVR, or CD devices. You need to program the remote control to control connected devices. For more information, see "Programming your remote control" on page 31.
29	▶▶/▶▶ (skip forward)	In DVD, DVR, PVR, or CD mode, press to skip forward to the next title or track. You need to program the remote control to control connected devices. For more information, see "Programming your remote control" on page 31.
30	⏸/FREEZE	Press to freeze the video image. Press again to unfreeze the image. For more information, see "Freezing the picture" on page 18. Caution: Do not freeze the video image for long periods of time. You may damage the TV screen.
31	CH ▲/CH ▼	Press to go change TV channels. For more information, see "Selecting a channel" on page 17.
32	MUTE	Press to mute the sound. Press again to restore the sound.
33	—	Press to enter a digital sub-channel number. For more information, see "Selecting a channel" on page 17.
34	CCD	Press to turn closed captioning on or off. You can select CC Off , CC On , or CC On when Mute . For more information, see "Viewing closed captioning" on page 27.
35	P-LOCK	If Parental Lock is turned on, when you enter correct password to unblock the channels, you can press P-LOCK to block the channels again.
36	ZOOM	Press to select the aspect ratio. For more information, see "Adjusting Advanced Video settings" on page 18.
37	PICT	Press to select the video mode. You can select Vivid , Standard , Energy Savings , Theater , Sports , or Custom . For more information, see "Adjusting the TV picture" on page 17.

Using the remote control

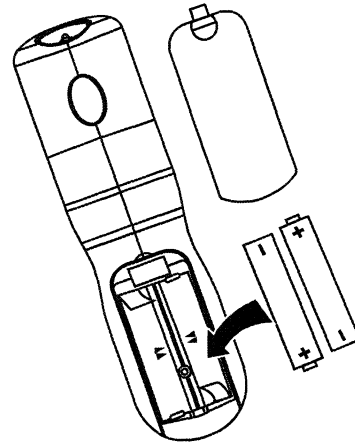
Installing the remote control batteries

To install the remote control batteries:

- 1 Remove the battery cover.



- 2 Insert two AA batteries into the battery compartment. Make sure that you match the + and - symbols on the batteries with the + and - symbols in the battery compartment.



- 3 Replace the battery cover.

Cautions

- Batteries should not be exposed to excessive heat, such as sunshine, heat registers, or fire.
- Battery chemicals can cause a rash. If the batteries leak, clean the battery compartment with a cloth. If chemicals touch your skin, wash immediately.
- Make sure that batteries are disposed of correctly. Do not burn or incinerate.

Notes

- Do not mix batteries of different types.
- Do not mix old and new batteries.
- Remove batteries when the charge is depleted.
- If the remote control is not going to be used for an extended period of time, remove the batteries.

Aiming the remote control

To aim the remote control:

- Point the remote control towards the remote sensor on the front of your TV.

Notes

- Do not expose the remote control to shock or liquids.
- Do not use the remote control in an area with high humidity.
- Do not place the remote control in direct sunlight.
- Do not place objects, such as furniture, between the remote control and the remote sensor.
- The remote control may not work if direct sunlight or bright light shines on the remote sensor. Either move your TV or change the angle at which you use the remote control.