

u How to use the special remote control

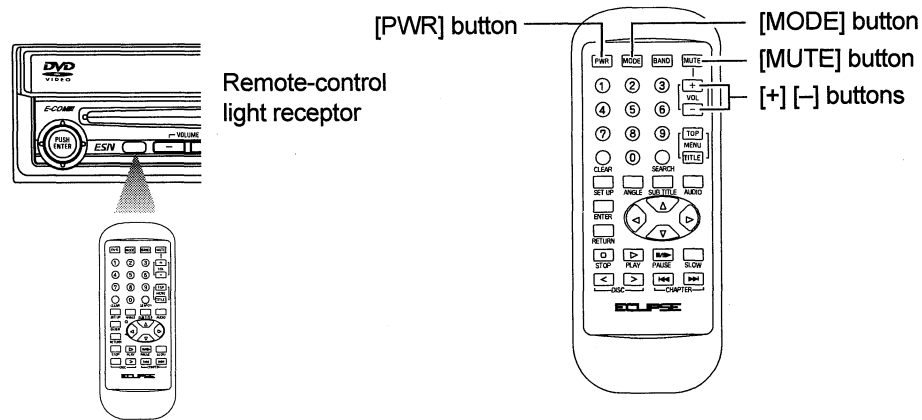
Precautions in use of the remote control

- Be careful when handling the control, especially because it is small and light. Dropping or striking it hard may damage it, wear out the battery or cause a malfunction.
- Keep the remote control free of moisture, dust and water. Do not subject it to shock.
- Do not place the remote control unit where it will get hot, such as on the dashboard or near a heater vent. Allowing the remote control unit to overheat may warp its case or cause other problems.
- Do not operate the remote control unit while driving because doing so could cause an accident.
- When using the remote control, point it directly at the remote control light receptor.
- The light receptor may not operate correctly if it is exposed to bright light such as direct sunlight.
- Remove the batteries from the remote control unit whenever it is not to be used for a long time.

Cleaning the remote control

- Use a dry cloth to keep the unit clean. If the remote control unit gets extremely dirty, clean it with a cloth moistened in dilute liquid detergent. Do not use alcohol or thinner; these compounds may damage the finish.
- In no event should benzine or thinner be used. These substances will damage the case or finish.

How to use the special remote control



n Turning the power on/off

When the power is turned on, the state used when the power was turned off such as CD and tuner playing is restored.

1 . Press the [PWR] button.

The power turns on or off each time the button is pressed.

n Adjusting the audio volume

1 . Press the [+] or [-] button.

[+] button: Increases the volume.

[-] button: Decreases the volume.

t **Cutting the volume instantly (muting):**

Press the [MUTE] button for more than two seconds to cut the volume or restore it instantly.

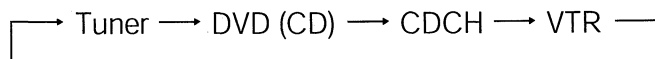


- Press the [MUTE] button for more than two seconds if E-COM is connected and less than two seconds if E-COM is not connected to cut the volume or restore it instantly.

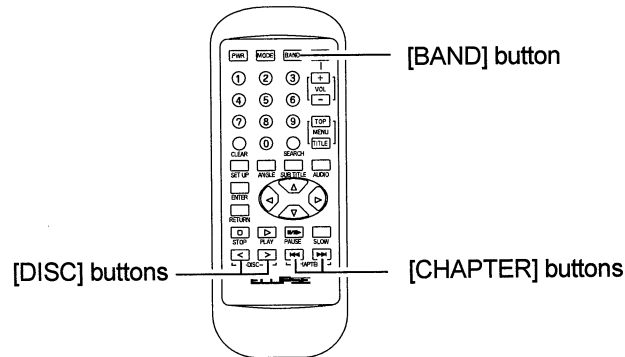
n Switching playback modes

1 . Press the [MODE] button.

Tap the button to switch modes in the following sequence:



How to use the special remote control



n How to play the tuner

Select the tuner mode first.

t **Selecting the FM/AM band**

1. Press the [BAND] button.

Each tap will switch tuner modes from FM1 FM2
FM3 AM.

t **Selecting a station (manually or automatically)**

A short tap of the button will allow manual station tuning.
Pressing for more than one second will start automatic
tuning.

1. Press the [CHAPTER] button.

[>>>] button: Tunes to higher frequency stations.

[<<<] button: Tunes to lower frequency stations.

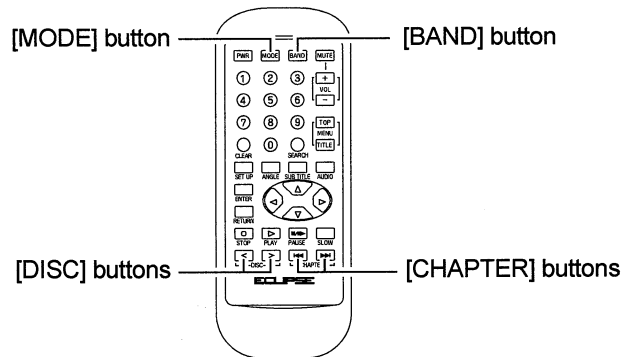
t **Selecting preset stations**

A total of six stations may be selected (preset tuning) out of
those already set in memory through the main unit. (Refer to
"Manually setting stations into memory," page 72.)

1. Press the [DISC] button.

[>] button: Selects the next higher number preset button.

[<] button: Selects the next lower number preset button.



n How to play back CDs

Select the disc mode first.

t **Switching disc modes**

1. Press the [MODE] button to switch DVD (CD) player or CD changer.
2. When two CD changers are connected, press the [BAND] button to change between CD changer 1 and CD changer 2.

t **Advancing to the next track or returning to the beginning of the track being played**

1. Press the [CHAPTER] button.

[>>>] button: Skips to the next track.

[<<<] button: Returns to the beginning of the track being played. (Press repeatedly to move to previous tracks.)



- Hold the [>>>] button down to fast-forward, or the [<<<] button to fast-reverse through the track being played.

t **Skipping to the next or previous disc**

1. Press the [DISC] button.

[>] button: Selects the next higher number disc.

[<] button: Selects the next lower number disc.

n Replacing the battery

Warning

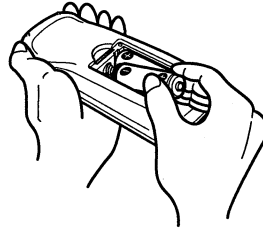
To prevent accidents, store batteries out of the reach of children.
If a child has swallowed one, consult a doctor immediately.

Use two AA-size batteries.

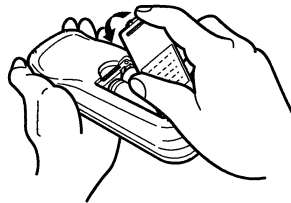
- 1** Remove the back cover of the remote control unit by gently pressing and sliding it in the direction indicated by the arrow.



- 2** Install the two batteries provided into the compartment as illustrated inside the compartment.



- 3** Return the back cover into place by sliding it in the direction indicated by the arrow.



1 Caution 1

- Be extremely careful not to swallow the battery.
- The battery life is approximately one year. If the remote control unit does not operate correctly or if the button lamp gets dim, replace the batteries.
- Be sure to orient the batteries correctly so that the positive and negative poles match the diagram.
- Do not use one new battery and one old one; use two new batteries.
- Use only two of the same kind of battery.
- If any liquid is seen leaking from the batteries, remove both batteries and dispose of them properly. Thoroughly clean the battery compartment with a dry cloth. Then install new batteries.