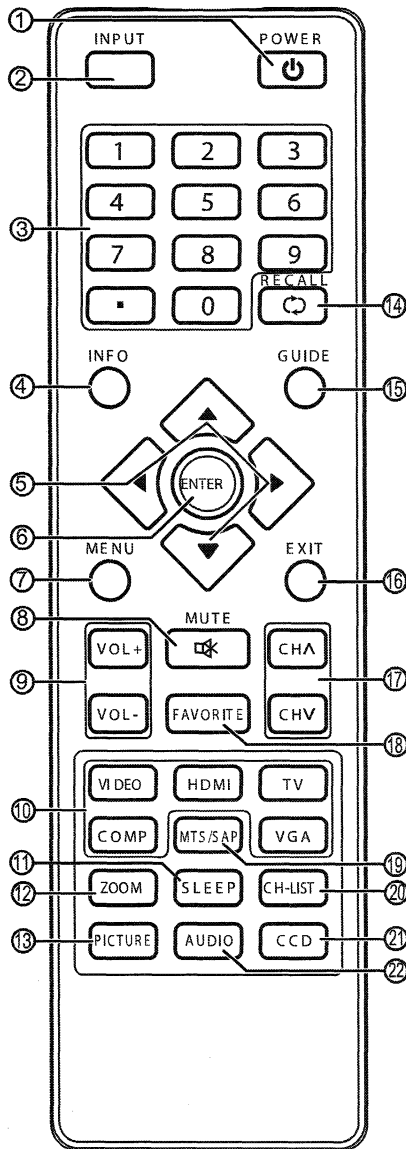


Remote control



Item	Name	Description
①	POWER	Press to turn on the TV or put the TV in standby mode. Caution: The TV continues to receive power even in standby mode. Unplug the power cord to disconnect power.
②	INPUT	Press to open the INPUT SOURCE menu. For more information, see "Selecting the video input source" on page 13.
③	Numbers/.	Press the number buttons to enter channel numbers or the parental control password. Press the dot button to select a digital sub-channel. For more information, see "Selecting a channel" on page 13.
④	INFO	Press to display the information banner. For more information, see "Displaying program information" on page 13.

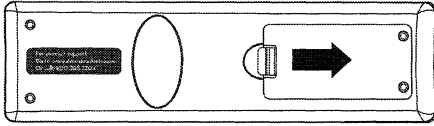
Item	Name	Description
⑤		Press to move up or down in on-screen menus.
⑤		Press to move left or right in on-screen menus or to adjust menu settings.
⑥	ENTER	Press to confirm selections in on-screen menus or to open sub-menus.
⑦	MENU	Press to open the on-screen menu.
⑧	MUTE	Press to mute the sound. Press again to restore the sound.
⑨	VOL+ / VOL-	Press to increase or decrease the volume.
⑩	COMP/HDMI/ VIDEO/TV/ VGA	Press to select the input source: <ul style="list-style-type: none"> Press COMP repeatedly to cycle between COMPONENT inputs. Press HDMI once to select HDMI1. Press HDMI twice to select HDMI2. Press HDMI three times to select HDMI3. Press VIDEO once to select AV1 IN. Press VIDEO twice to select AV2 IN. Press VIDEO three times to select S-VIDEO1. Press VIDEO four times to select S-VIDEO2. Press TV to switch to TV mode. Press VGA to view a computer connected to your TV.
⑪	SLEEP	Press to set the sleep timer. For more information, see "Setting the sleep timer" on page 27.
⑫	ZOOM	Press to select the screen aspect ratio. You can select Auto , Normal , Zoom , Wide , and Cinema . For more information, see "Adjusting the TV picture" on page 15.
⑬	PICTURE	Press to select the picture mode. You can select Vivid , Standard , Theater , Sports , Energy Saving , and Custom . For more information, see "Adjusting the TV picture" on page 15.
⑭	RECALL	Press to go to the last viewed channel. For more information, see "Selecting a channel" on page 13.
⑮	GUIDE	Press to open the DTV program guide (if available). For more information, see "Displaying program information" on page 13.
⑯	EXIT	Press to close the on-screen menu.
⑰	CH ^ / CH v	Press to go to the next or previous channel in the channel list. For more information, see "Automatically scanning for channels" on page 17 and "Selecting a channel" on page 13.
⑱	FAVORITE	Press to open the favorite channel list. For more information, see "Setting up a favorite channel list" on page 18.
⑲	MTS/SAP	In analog TV mode, press to select STEREO , SAP (secondary audio language), or MONO .
⑳	CH-LIST	Press to open the channel list. For more information see "Selecting a channel" on page 13.
㉑	CCD	Press to turn closed captioning on or off. For more information, see "Turning closed captioning on or off" on page 24.
㉒	AUDIO	Press to select the sound mode. You can select Standard , Movie , Music , News , or Custom . For more information, see "Adjusting the sound" on page 16.

Using the remote control

Installing remote control batteries

To install remote control batteries:

- 1 Press down on the battery compartment cover lock, then remove the remote control cover.



- 2 Insert two AAA batteries into the battery compartment. Make sure that the + and – symbols on the batteries match the + and – symbols in the battery compartment.
- 3 Replace the cover. Make sure that the lock snaps into place.

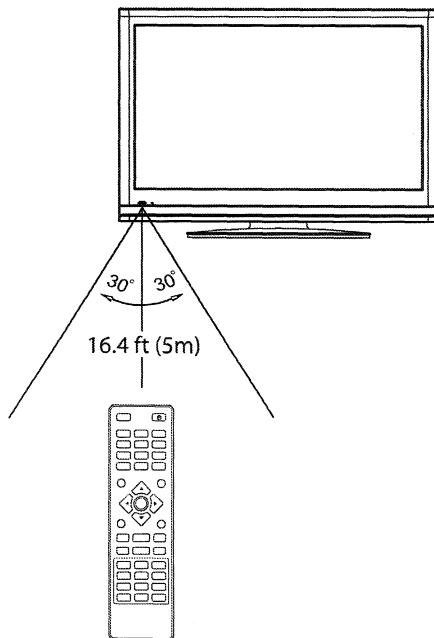
Battery precautions:

- Dispose of batteries as hazardous waste.
- Do not mix batteries of different types.
- Do not mix old and new batteries. Mixing old and new batteries can shorten the life of new batteries and can cause old batteries to leak.
- Remove batteries as soon as they become inoperable. Chemicals that can leak from the batteries can cause a rash. If the batteries leak, clean the battery compartment with a cloth.
- If the remote control is not used for an extended period of time, remove the batteries.
- Do not expose batteries to excessive heat such as sunshine, fire, or other heat sources.

Aiming the remote control

To aim the remote control:

- Point the remote control towards the remote sensor on the front of your TV.



Notes:

- Do not expose the remote control to shock or liquids.
- Do not use the remote control in an area with high humidity.

- Do not place the remote control in direct sunlight.
- Do not place objects, such as furniture, between the remote control and the remote sensor.
- The remote control may not work if direct sunlight or bright light shines on the remote sensor. Either move your TV or change the angle at which you use the remote control.

Programming a universal remote control to work with your TV

You can operate your TV with a new or existing universal remote control.

To program your existing universal remote control:

- 1 To program your existing remote control to work with your Dynex TV, see the table below for common codes. If you have problems programming your remote, or need a different remote control code, visit www.dynexproducts.com for the latest remote control code information.

Dynex TV codes for universal remote controls (for all Dynex TVs manufactured after Jan. 1, 2007)

Universal remote control manufacturer and model

Philips PHDVD5, PH5DSS, PMDVR8, PDVR8	RCA RCU807	One for All URC-6690	Sony RM-VL600
---	---------------	-------------------------	------------------

115

135

0464

8043

Set-top box manufacturer and model

Comcast M1057	Dish Network VIP508, VIP622	Motorola DRC800	TIVO Series 3, HD	DirectTV RC23
------------------	--------------------------------------	--------------------	----------------------	------------------

0463

720

0463

0091

10463

Codes for other remote controls are available online at:
<http://www.dynexproducts.com/universalcontrolcodes.aspx>

Tips:

- The brand name is often visible on the front of the universal remote control, and the model number is often visible on the back.
 - The codes shown above are common codes, but are subject to change. Please refer to [Dynexproducts.com](http://www.dynexproducts.com) for the most up to date codes.
 - If your universal remote control isn't listed on the chart, refer to your universal remote control's instructions and try codes for the brands Orion, Emerson, Memorex, Sansui, Sylvania, or Zenith. You may need to try several codes before finding a match.
- 2 Follow your universal remote control's instructions to enter the code you found in Step 1.

Tips:

- If your universal remote control has a code search feature, run a code search to identify a code that matches your TV. See your universal remote control's instructions for details.
 - If your universal remote control has a "learn" feature, you can manually program it using your TV remote to "teach" the commands one at a time. See your universal remote control's instructions for details.
- 3 If all else fails, you must use a different universal remote control that can operate both your set-top box and your TV. Five such remotes are listed on the chart, but many other compatible models are available in the market.

- 4 For more help, call technical support for your universal remote control or set-top box manufacturer, or call the Dynex Customer Care Center. For US and Canada markets, call 1-800-305-2204. For Mexico markets, call 01-800-926-3020.

Making connections

Before you make any connections:

- Check the plugs on the ends of cables to make sure that they are the correct type before you try plugging them into jacks on the TV.
- Make sure that all plugs are securely inserted into the jacks. Loose connections can result in image or color problems.
- When connecting devices to the TV, make sure that the TV and the device are turned off and that the power cords are unplugged.

Selecting a location

You should select a location for the TV:

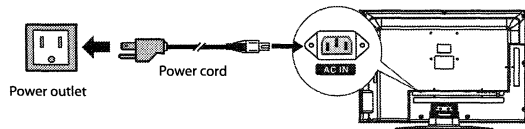
- Where direct light does not reflect on the screen
- That has indirect and soft lighting
- Where the TV has access to an antenna or cable TV connection
- Where the TV has access to a power outlet

Note: Watching TV in total darkness or with a reflection on the screen may cause eye strain.

Connecting the power

To connect the power cord:

- Connect the power cable to the **AC IN** jack on the back of the TV, then connect the other end to a power outlet.



Notes:

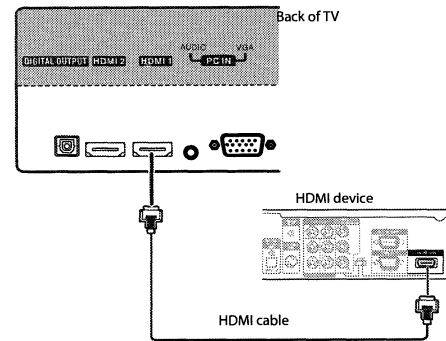
- The AC plug on the TV may be different from the one shown.
- Make sure that you only use the type of power source indicated on the marking label.
- Always unplug the power cord when not using the TV for a long period of time.

Connecting an HDMI device

Note: If your device has an HDMI connection, we recommend you use that to get the best quality possible.

To connect an HDMI device:

- Connect one end of an HDMI cable (not included) to the **HDMI 1** or **HDMI 2** jack on the back of your TV, or **HDMI 3** jack on the side of your TV, then connect the other end of the cable to the **HDMI OUT** jack on the HDMI device.



Note: To connect a DVI device, use a DVI to HDMI adapter cable to connect to the HDMI jack on the TV, then connect an audio cable to the PC IN AUDIO jack on the back of the TV.

To play from the HDMI device:

- 1 Turn on the TV, then press **INPUT**. The **INPUT SOURCE** menu opens.
- 2 Press **▲** or **▼** to select **HDMI 1**, **HDMI 2**, or **HDMI 3**, then press **ENTER**.

*Note: You can also press **HDMI** once to select **HDMI 1**, twice to select **HDMI 2**, or three times to select **HDMI 3**.*

- 3 Turn on the HDMI device, then set it to the correct mode. Refer to the instructions that came with the HDMI device.

Connecting a component video device

Component cables often have red, green, and blue color-coded video connectors and red and white audio connectors. Match the colors when making connections.

To connect a component video device:

- 1 Make sure that your TV's power cord is unplugged and the component video device is turned off.
- 2 Connect a component video cable to the **COMPONENT OUT** jacks on the component video device.

