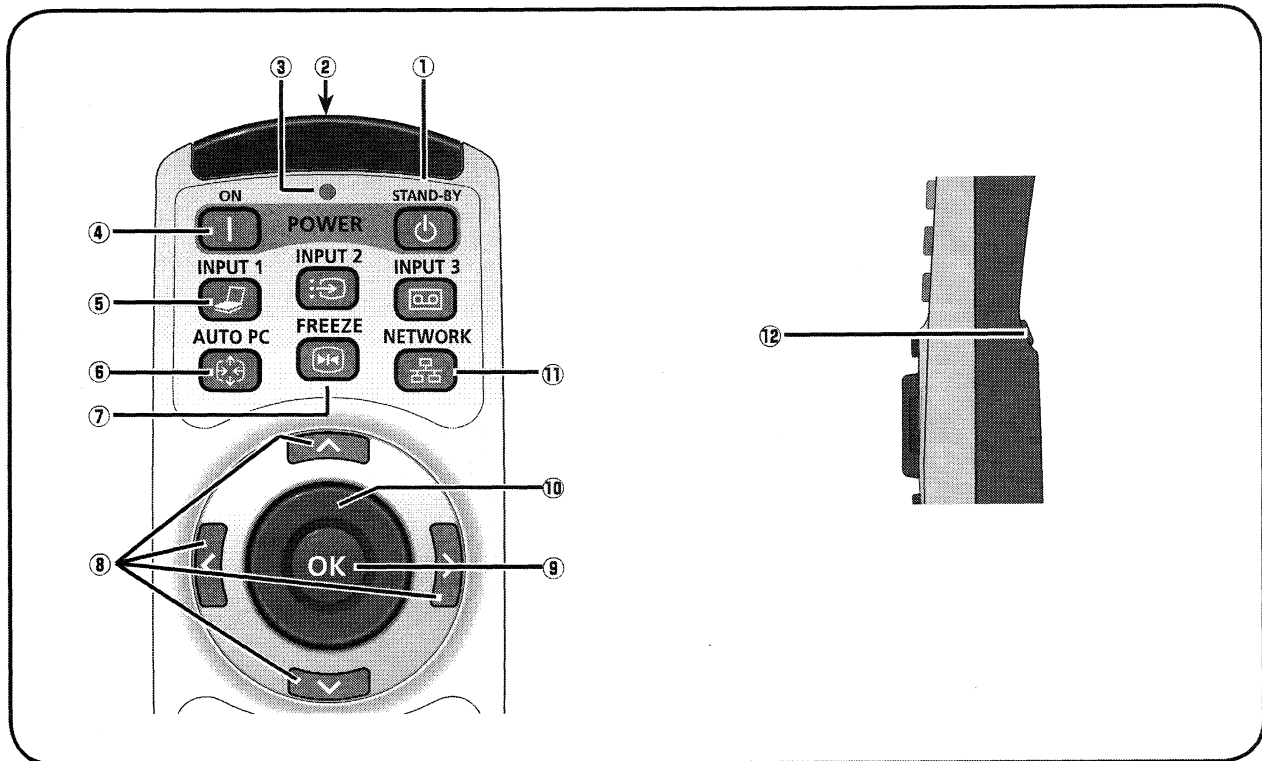


Remote Control Unit



① STAND-BY button

Turn the projector off (p.24).

② WIRED REMOTE jack

Connect the remote control cable (not supplied) to this jack when using as a wired remote control unit.

③ SIGNAL EMISSION indicator

Light red while a signal is being sent from the remote control unit to the projector.

④ ON button

Turn the projector on (p.23).

⑤ INPUT 1 – 3 buttons

Select an input source (INPUT 1 – INPUT 3) (pp.31–33).

⑥ AUTO PC button

Automatically adjust the computer image to its optimum setting (pp.28, 35).

⑦ FREEZE button

Freeze the picture on the screen (p.28).

⑧ POINT ▲▼◀▶ buttons

- Select an item or adjust the value in the On-Screen Menu (p.25).
- Pan the image in Digital zoom + mode (p.40).

⑨ OK button

- Execute the selected item (p.25).
- Expand or compress the image in the Digital zoom mode (p.40).

⑩ MOUSE POINTER button

Move a pointer of the projector or a pointer for wireless mouse operation (p.30).

⑪ NETWORK button

Select the Network input. (Optionally available).

⑫ L-CCLICK button

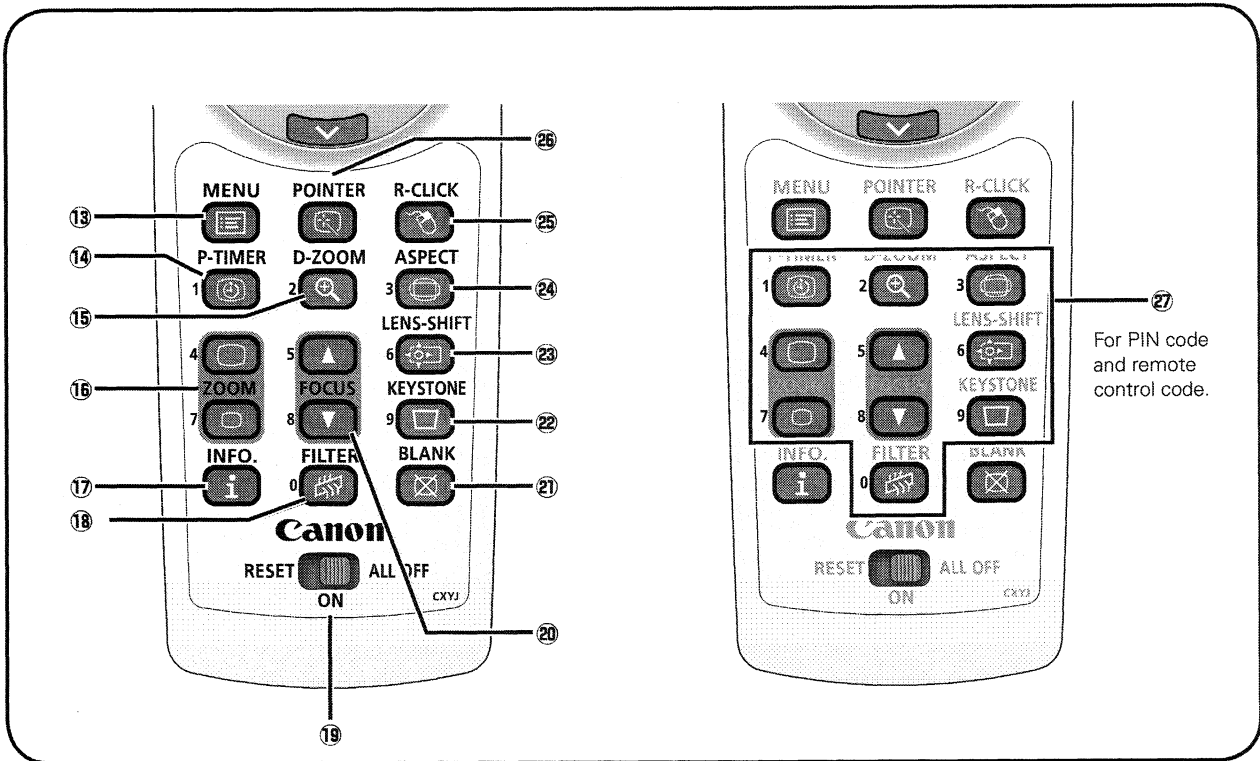
Act as the left mouse button for wireless mouse operation (p.30).



To ensure safe operation, observe the following precautions:

- Do not bend, drop, or expose the remote control unit to moisture or heat.
- For cleaning, use a soft dry cloth. Do not apply benzene, thinner, splay, or any other chemical materials.

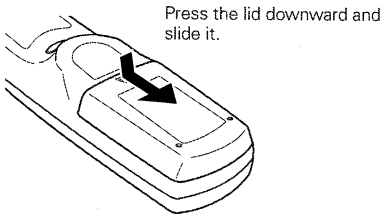
Remote Control Unit



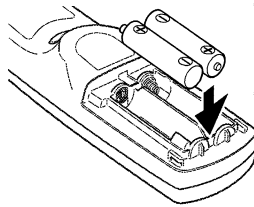
- 13 MENU button**
Open or close the On-Screen Menu (p.25).
- 14 P-TIMER button**
Operate the P-timer function (p.29).
- 15 D-ZOOM button**
Select the Digital zoom +/- mode and resize the image (p.40).
- 16 ZOOM ▲▼ buttons**
Zoom in and out the images (p.28).
- 17 INFO. button**
Display the input source information (p.28).
- 18 FILTER button**
Scroll the filter (p.29).
- 19 RESET/ON/ALL-OFF switch**
When using the remote control unit, set this switch to "ON." Set it to "ALL OFF" for power saving when it is not in use. Slide this switch to "RESET" to initialize the remote control code.
- 20 FOCUS buttons**
Adjust the focus (p.28).
- 21 BLANK button**
Temporarily turn off the image on the screen (p.29).
- 22 KEYSTONE button**
Correct keystone distortion (p.29).
- 23 LENS-SHIFT button**
Select the Lens Shift function (p.28).
- 24 ASPECT button**
Select the screen size (p.28).
- 25 R-CLICK button**
Act as the right mouse button for wireless mouse operation (p.30).
- 26 POINTER button**
Act as the On-Off switch for the Pointer (p.29, 30).
- 27 NUMBER buttons**
Act as number buttons. Use these buttons when setting the remote control codes (p.16) or when entering the PIN code numbers (pp. 23, 50, 51, 54).

Remote Control Battery Installation

1 Open the battery compartment lid.

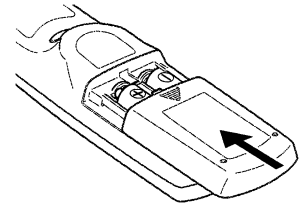


2 Install new batteries into the compartment.



Two AAA size batteries
For correct polarity (+ and -), be sure battery terminals are in contact with pins in the compartment.

3 Replace the compartment lid.



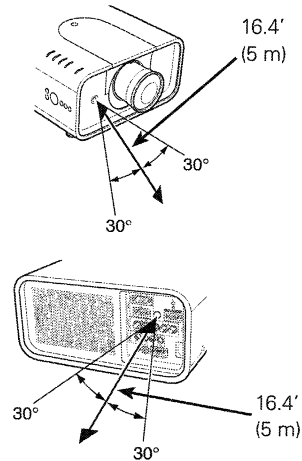
To insure safe operation, please observe the following precautions :

- Use two (2) AAA or LR03 type alkaline batteries.
- Always replace batteries in sets.
- Do not use a new battery with a used battery.
- Avoid contact with water or liquid.
- Do not expose the remote control unit to moisture or heat.
- Do not drop the remote control unit.
- If the battery has leaked on the remote control unit, carefully wipe the case clean and install new batteries.
- Risk of an explosion if battery is replaced by an incorrect type.
- Dispose of used batteries according to the instructions.

Remote Control Receivers and Operating Range

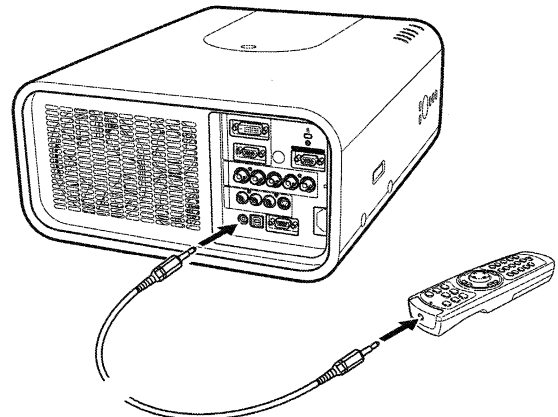
Point the remote control unit toward the projector (to Infrared Remote Receivers) when pressing the buttons. Maximum operating range for the remote control unit is about 16.4' (5 m) and 60 degrees in front and rear of the projector.

Infrared Remote Receivers are provided both in front and back of the projector. You can conveniently use both of the receivers (pp. 10, 51).



Wired Remote Control Transmitter

The remote control unit can be used as a wired remote control unit. Wired remote control unit helps you use the remote control unit outside of the operating range (16.4'/5 m). Connect the remote control unit and the projector with the remote control cable (sold separately). Connected with the remote control cable, the remote control unit does not emit wireless signal.

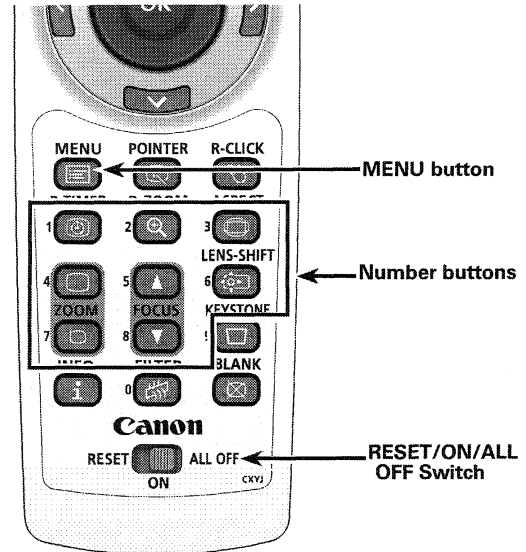


Part Names and Functions

Remote Control Code

The eight different remote control codes (Code 1–Code 8) are assigned to this projector. Switching the remote control codes prevents interference from other remote control units when several projectors or video equipment next to each other are operated at the same time. Change the remote control code for the projector first before changing that for the remote control unit. See “Remote control” in the Setting Menu on page 51.

- 1 Press and hold the MENU and a number button (1–8) for more than 5 seconds to switch between the codes.
- 2 To initialize the remote control code, slide the RESET/ON/ALL-OFF switch to “RESET,” and then to “ON.” The initial code is set to Code 1.



Press and hold the MENU and a number button (1–8) that corresponds to the remote control code for more than 5 seconds to switch between the codes.

Operating with Remote Control Unit

Using the remote control unit for some frequently used operations is advisable. Just pressing one of the buttons enables you to make the desired operation quickly without calling up the On-Screen Menu.

FREEZE button

Press the FREEZE button on the remote control unit to freeze the picture on the screen. To cancel the FREEZE function, press the FREEZE button again or press any other button.

AUTO PC button

Press the AUTO PC button on the remote control unit to operate the Auto PC Adj. function. The computer screen adjustment can be done easily by pressing this button. See page 35 for details.

D-ZOOM button

Press the D-ZOOM button on the remote control unit to enter to the Digital zoom +/- mode. See page 40 for details.

ASPECT button

Press the ASPECT button on the remote control unit to select the desired screen size. The selected screen size symbol appears on the screen for 4 seconds. See pages 39 to 40 and 43 to 44 for details. Press and hold the ASPECT button for more than 5 seconds to return all the screen size adjustment setting to the factory default setting.

LENS-SHIFT button

See page 27 for details.

ZOOM buttons

Press the ZOOM buttons on the remote control unit to zoom in and out the image.

FOCUS buttons

Press the FOCUS buttons on the remote control unit to adjust focus of the image.

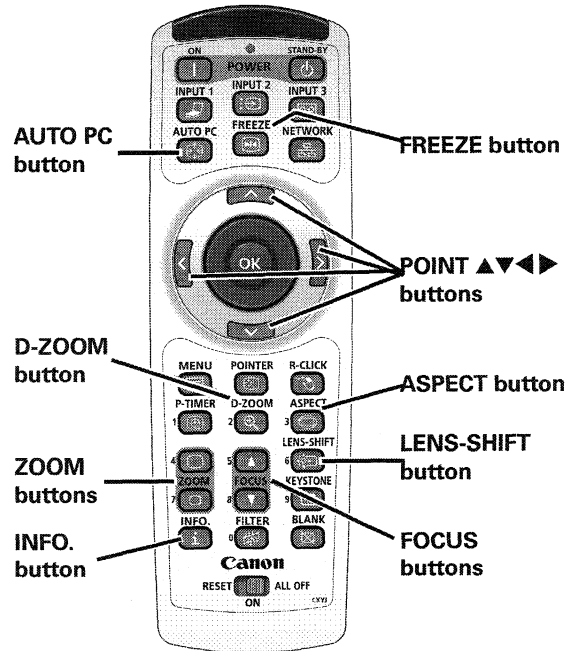
INFO. button

Information display can be used to confirm the current operating condition of the projector and the signal being projected through the projector.

Press the INFO. button on the remote control unit to display the information window on the screen. To hide the information window, press the INFO. button again or Point \blacktriangleleft buttons.

The information window can also be selected from the menu.

Remote Control Unit



✓ Note:

- See the next page for the description of other buttons.

Information Menu

Input	Input 1
	RGB (PC Analog)
H-sync freq.	15.7 KHz
V-sync freq.	30.0 Hz
Aspect	Normal
Language	English
Lamp status	
Power management	Ready 5 Min.
Security	Key lock
	PIN code lock Off
Remote control	Code 1

* The H- and V-sync freq. values described in this figure may be different from the actual values.