

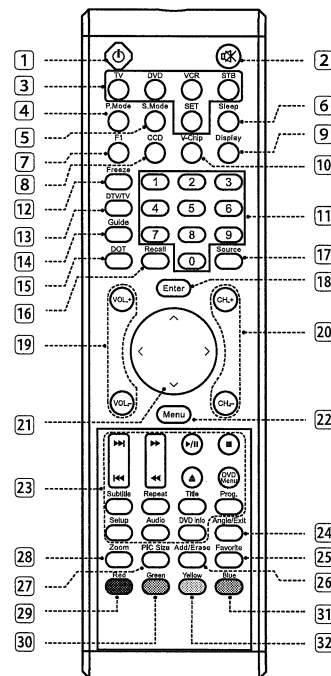
Operating Instructions

- 8. **ANT IN:** 75Ω Coaxial connector for Antenna/Cable Network.
- 9. **S-Video INPUT:** Connects to the S-Video out jack of your VCR or other video equipment that has S-Video.
S-Video Audio Input: Connects the audio input terminal to the audio output terminal of the S-Video output device.
- 10. **AUDIO OUTPUT:** Connects audio amplifier or other device with that audio input.
- 11. **Coaxial:** This terminal is used as a digital audio output to an external amplifier. This output produced 2 channels of digital audio.
- 12. **Speaker OUTPUT:** Can be used to connect external speakers with 6Ω impedance to the product. Rated audio output power 10W + 10W.
- 13. **AC INLET:** Connect the power cable to the product then connect the main plug to the wall outlet.

4.3 Remote Control

(Note: Details refer to AKAI TV Universal Remote Control Programming Guide.)

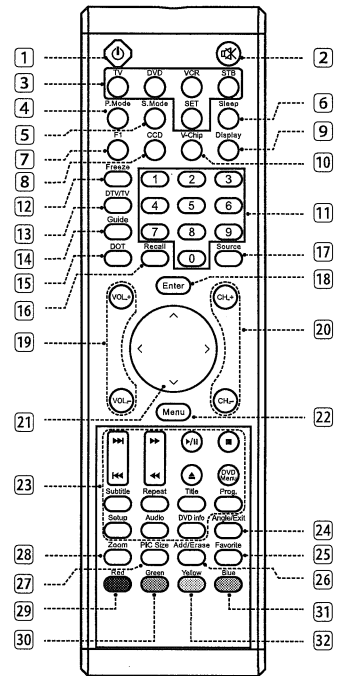
- 1 **Standby**(⏻): Press to turn on and off.
- 2 **Mute**(🔇): Press this button to quiet the sound. Press again to reactivate the sound.
- 3 Press these buttons to select control of the TV, DVD, VCR or Set-top Box device.
- 4 **P. Mode:** Press to cycle through picture modes: Cinema, Normal, Vivid, Hi-Bright and User.
- 5 **S. Mode:** Press to cycle through the sound modes: Normal, News, Cinema, Concert and User.
- 6 **Sleep:** Press repeatedly until it displays the time in minutes (10, 20, 30, 40, 50, 60, 90, 120 and Off) that you want the TV to remain on before shutting off. To cancel sleep time, press **Sleep** button repeatedly until sleep Off appears.
- 7 **F1:** Press to cycle through the Stereo and Multi-channel TV sound options: Mono, Stereo and Bilingual.
- 8 **CCD:** Press to select the Closed Caption mode.



(Continued on next page)

AKAI

- 9 **Display:** Press to display the channel information; this information disappears after 9 seconds.
- 10 **V-Chip:** Select the child protect mode you want.
- 11 **0~9 Number Buttons:** Press 0~9 to select a channel, and used to input the password; the channel changes after 4 seconds.
- 12 **Freeze:** Press to freeze the picture, press again to restore the picture.
- 13 **DTV/TV:** Press to choose DTV/TV (high definition channels) directly.
- 14 **Guide (Digital TV Timetable):** Press to display the (Digital TV Timetable) mode. Press again to exit.
- 15 **DOT:** Press number buttons with it to select the channels directly in DTV. (i.e. channel 108-1 would need the dot button after the 8)
- 16 **Recall:** Press to return to previous channel.
- 17 **Source:** Press to select the signal source, such as TV, AV, S-Video, YPbPr 1, YPbPr 2, VGA, HDMI 1



or HDMI 2. If you are selecting inputs from the OSD menu or the input menu, press the **Enter** button to confirm your source selection.

- 18 **Enter:** Press to enter or confirm.
- 19 **VOL +/-:** Press to adjust the volume.
- 20 **CH +/-:** Press to select the channel forward or backward.
- 21 **^, V, <, >:** Press ^, V, <, > to move the on-screen cursor.
- 22 **Menu:** Press to enter into the on-screen setup menu, press again to exit.
- 23 These buttons have no function.
- 24 **Exit:** Press this button to exit in the menu.
- 25 **Favorite:** Press to display the favorite channel list. Press ^ or V to select the channel then press Enter to confirm.
- 26 **Add/Erase:** Press to add or delete favorite or dislike channels.
- 27 **Pic Size:** Press to change the screen size, such as Full, 4:3. (Note: When in VGA mode, it can only select "Full".)
- 28 **Zoom:** Press repeatedly to zoom the image.
- 29 **Red:** This is a special control function for the Digital tuner.
- 30 **Green:** This is a special control function for the Digital tuner.
- 31 **Blue:** This is a special control function for the Digital tuner.
- 32 **Yellow:** This is a special control function for the Digital tuner.

Operating Instructions

Note:

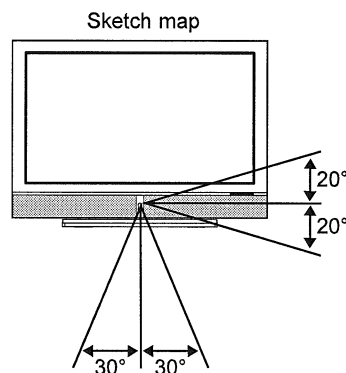
Pressing **CH +/-** button on the front panel can turn on the TV set from standby mode.

Insertion of Batteries:

- Turn the remote control upside down, press and slide off the battery cover.
- Insert two 1.5V (AAA) batteries into the compartment, take care to observe the \oplus and \ominus markings indicated inside.
- Replace the cover and slide in reverse until the lock snaps.

Range of Remote Control

- Ensure the remote control is pointed towards the remote control window on the display unit.
- No obstacles should be placed between the remote control and the remote control window.
- The effective receiving range for the signal is within 5-8 meters from the front of the remote control window, and 30° to the left or right side and 20° above or below the control window.



Care For Remote Control

- Avoid spilling liquids on the remote.
- Avoid dropping or otherwise jarring the remote.
- Always store the remote control at dry and normal room temperature place.
- If the remote is not performing satisfactorily, replace the batteries. The batteries should be replaced after one year.
- If the remote control will be idled for a long time (over 1 month) take out the batteries to avoid leakage from the batteries.
- Clean up the entire remote control especially the battery compartment if any leakage is found.
- Do not mix both new and used batteries together. This will help avoid battery leakage.