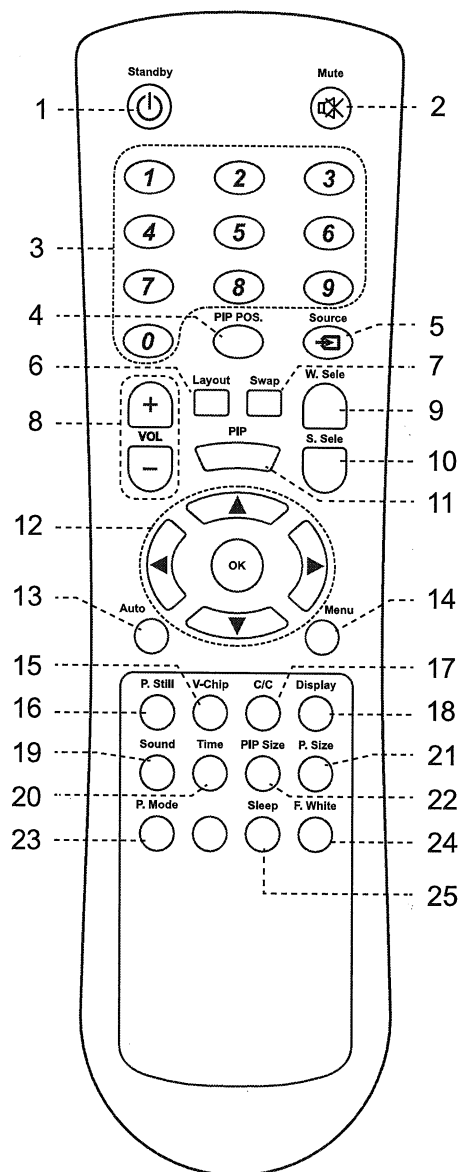


OPERATING INSTRUCTIONS

- J. **Video Input:** Connect the video input terminal to the video output terminal of the video output device.
Video Audio Input: Connect the audio input terminal to the audio output terminal of the video output device.
- K. **SPEAKER OUTPUT:** Connects to the Speaker.
- L. **S-Video INPUT:** Connect the Y/C S-Video input terminal to the S-Video output terminal of the video output device.
S-Video Audio INPUT: Connect the audio input terminal to the audio output terminal of the video output device.

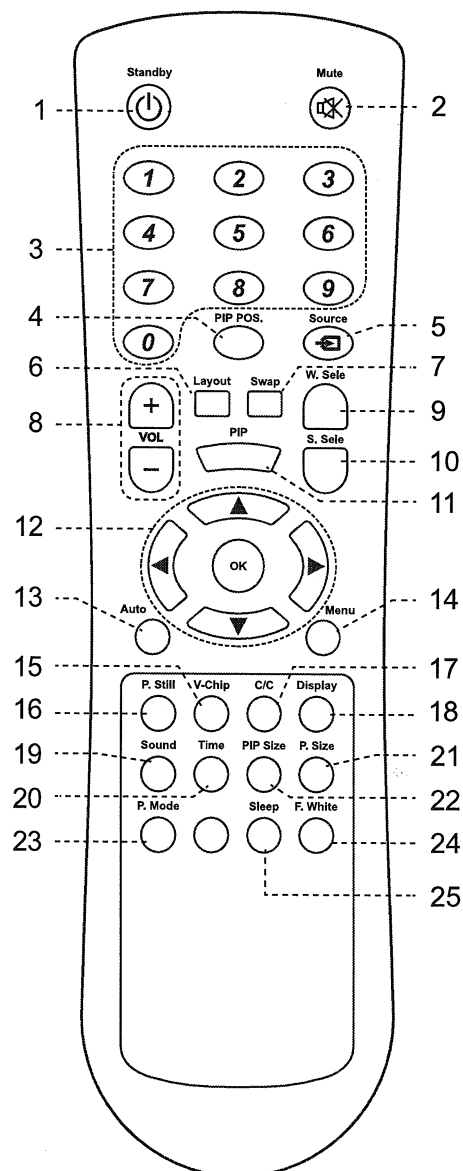
4.4 Remote Control

- 1 **Standby**(⏻): Press this button to turn off to standby and turn on from standby.
- 2 **Mute**(⊘): Press this button to quiet the sound system. Press again to reactivate the sound system.
- 3 **Number buttons:** Use these buttons to enter the password.
- 4 **PIP POS.** : Press the button to select different Image Position in PIP Mode.
- 5 **Source:** Press this button and use ▲ / ▼ button to select the signal sources. AV, S-Video, YPbPr 1, YPbPr 2, VGA or HDMI.
- 6 **Layout:** Press this button to pop up Layout menu.
- 7 **Swap:** Press this button to switch the Main window or Sub window pictures in PIP and Split Screen.
- 8 **VOL +/-** : Press these buttons to increase or decrease the volume.
- 9 **W. Sele:** Press this button to select the Main Window or Sub Window.
- 10 **S. Sele:** Press this button to select the sound output from Main Window or Sub Window.
- 11 **PIP:** Press this button to change different Picture Mode.
- 12 **OK** : Press to enter or confirm.
 ◀ / ▶ : They are used as ◀ / ▶ buttons in the OSD Menu screen.
 ▲ / ▼ : They are used as ▲ / ▼ buttons in the OSD Menu screen.
 They also can be used for the selection of the program when the OSD Menu is not shown on the screen, but only for the Model with Tuner.



(Continued on next page)

- 13 **Auto:** The Display automatically adjusts the phase, vertical / horizontal position when pressing this button in VGA mode.
- 14 **Menu:** Press this button to pop up the OSD Menu and press it again to exit the OSD Menu.
- 15 **V-Chip:** Press this button to enter the V-Chip Function. (Only for AV or S-Video)
- 16 **P. Still:** Press this button to hold on the screen. Press again to normal.
- 17 **C/C:** Press this button to enter the Closed Caption Function. (Only for AV or S-Video)
- 18 **Display:** Press the button to display the source information.
- 19 **Sound:** Press the button to select different sound effect.
- 20 **Time:** Press this button to pop up the "Clock Set" menu.
- 21 **P. Size:** When the input source is YPbPr 1, YPbPr 2, VGA or HDMI, press this button, the picture will change according to Fill All, Force 4:3, Letter Box, Wide or Anamorphic. When the input source is AV or S-Video, press this button, the picture will change according to Fill All, 4:3, Letter Box, Wide or Anamorphic.
- 22 **PIP Size :** Press the button to select different Image Size in PIP Mode.
- 23 **P. Mode :** Press the button to select different picture effect.
- 24 **F. White:** Press this button to show a full white picture.
- 25 **Sleep:** Press this button to select the sleep time.



Insertion of Batteries:

- Turn the remote control upside down, press and slide off the battery cover.
- Insert two 1.5V (AAA) batteries into the compartment, take care to observe the ⊕ and ⊖ markings indicated inside.
- Replace the cover and slide in reverse until the lock snaps.