
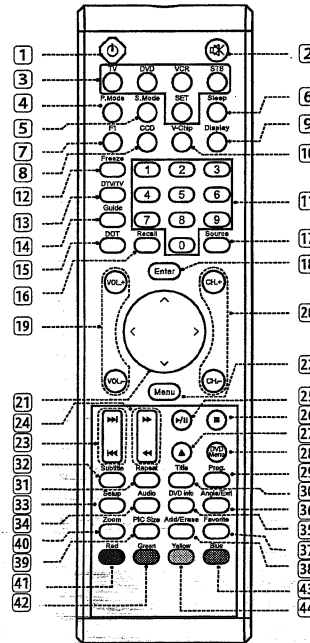


4.4 Remote Control

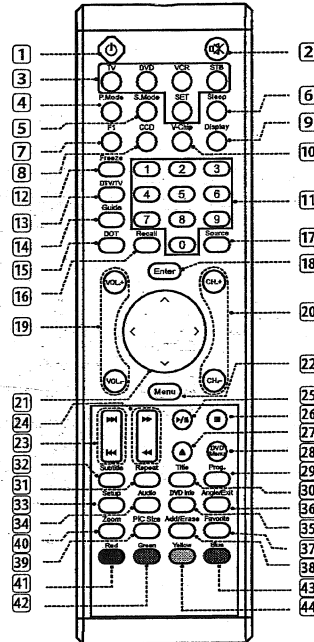
(Note: Details refer to AKAI TV Universal Remote Control Programming & Codes Guide.)

- 1 **Standby**(- 13 **DTV/TV**: Press to choose DTV/TV (high definition channels) directly.
- 14 **Guide (Digital TV Timetable)**: Press to display the (Digital TV Timetable) mode. Press again to exit.
- 15 **DOT**: Press number buttons with it to select the channels directly in DTV. (i.e. channel 108-1 would need the dot button after the 8)
- 16 **Recall**: Press to return to previous channel. (Only for TV)



Operating Instructions

- 17 **Source:** Press to select the signal source, such as TV, AV, S-Video, YPbPr, DVD, VGA, HDMI 1 or HDMI 2.
- 18 **Enter:** Press to enter or confirm.
- 19 **VOL +/-:** Press to adjust the audio levels.
- 20 **CH +/-:** Press to select the channel forward or backward.
- 21 **▲, ▼, <, >:** Press ▲, ▼, <, > to move the on-screen cursor.
- 22 **Menu:** Press to enter into the on-screen setup menu, press again to exit.
- 23 **◀◀, ▶▶:** Press to skip the backward or forward.
- 24 **◀◀, ▶▶:** Press to search the backward or forward.
- 25 **▶/||:** Press to play or pause the DVD disc.
- 26 **■:** Press to stop playing the disc.
- 27 **▲:** Press to stop playing the disc.
- 28 **DVD Menu:** Press to return DVD disc menu.
- 29 **Prog.:** Press to display the program menu. Press it again to exit.
- 30 **Title:** Press to display to DVD disc title.
- 31 **Repeat:** When in DVD mode, press to cycle through the options: CHAPTER, TITLE, ALL and nothing. While in CD mode, the options are: TRACK, ALL.
- 32 **Subtitle:** Press to select desired DVD subtitle.
- 33 **Setup:** Press to display a setup page. Press it again to exit menu.
- 34 **Audio:** Press to select desired audio track.
- 35 **DVD Info:** Press to display DVD information.
- 36 **Angle/Exit:** Press this button to select desired viewing angle of the Video (disc feature).
- 37 **Favorite:** Press to select the favorite channel from list.
- 38 **Add/Erase:** Press to add or delete favorite channels.
- 39 **Pic Size:** Press to change the screen size, such as Full, 4:3. (Note: When in VGA mode, it can only select "Full".)
- 40 **Zoom:** This button is not in use.
- 41 **Red:** This is a special control function for the Digital tuner.
- 42 **Green:** This is a special control function for the Digital tuner.
- 43 **Yellow:** This is a special control function for the Digital tuner.
- 44 **Blue:** This is a special control function for the Digital tuner.

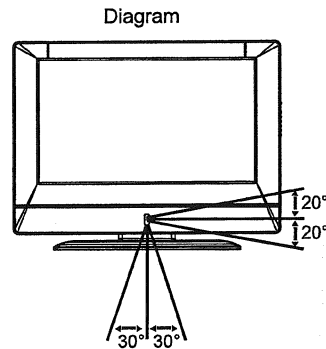


Insertion of Batteries:

- Turn the remote control upside down, press and slide off the battery cover.
- Insert two 1.5V (AAA) batteries into the compartment, take care to observe the \oplus and \ominus markings indicated inside.
- Replace the cover and slide in reverse until the lock snaps.

Range of Remote Control

- Ensure the remote control is pointed towards the remote control window on the display unit.
- No obstacles should be placed between the remote control and the remote control window.
- The effective receiving range for the signal is within 5-8 meters from the front of the remote control window, and 30° to the left or right side and 20° above or below the control window.



Care For Remote Control

- Avoid spilling liquids on the remote.
- Avoid dropping or otherwise jarring the remote.
- Always store the remote control at dry and normal room temperature place.
- If the remote is not performing satisfactorily, replace the batteries.
The batteries should be replaced after one year.
- If the remote control will be idled for a long time (over 1 month), please take out the batteries to avoid leakage from the batteries.
- Clean up the entire remote control especially the battery compartment if any leakage found.
- Do not mix different kind of new and used batteries together to avoid leakage.