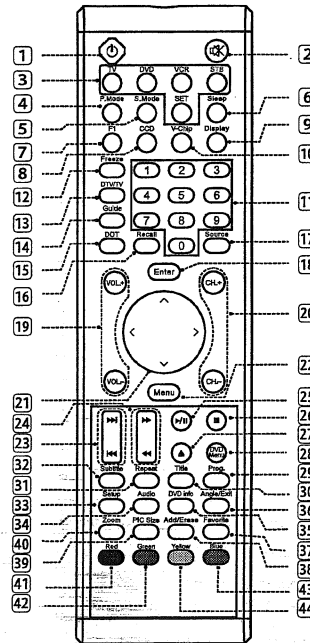


4.4 Remote Control

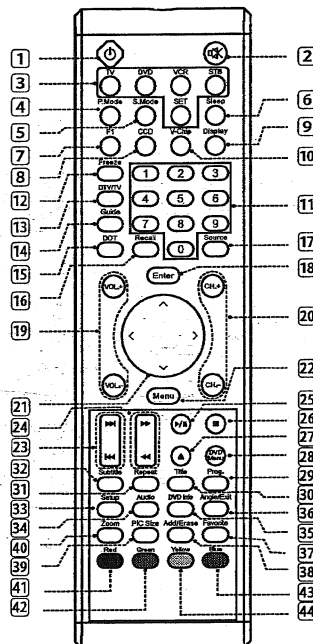
(Note: Details refer to AKAI TV Universal Remote Control Programming & Codes Guide.)

- 1 **Standby**(⏻): Press to turn on and off.
- 2 **Mute**(🔇): Press this button to quiet the sound. Press again to reactivate the sound.
- 3 Press these buttons to select control of the TV, DVD, VCR or Set-top Box device.
- 4 **P. Mode**: Press to cycle through the picture modes: Cinema, Normal, Vivid, Hi-Bright and User.
- 5 **S. Mode**: Press to cycle through the sound modes: Normal, News, Cinema, Concert and User.
- 6 **Sleep**: Press repeatedly until it displays the time in minutes (10, 20, 30, 40, 50, 60, 90, 120 and Off) that you want the TV to remain on before shutting off. To cancel sleep time, press **Sleep** button repeatedly until sleep Off appears.
- 7 **F1**: Press to cycle through the Stereo and Multi-channel TV sound options: Mono, Stereo and Bilingual.
- 8 **CCD**: Press to select the Closed Caption mode.
- 9 **Display**: Press to display the channel information; this information disappears after 9 seconds.
- 10 **V-Chip**: Select the child protect mode you want.
- 11 **0~9 Number Buttons**: Press 0~9 to select a channel, and input the password.
- 12 **Freeze**: This button does not function on your TV LCT26Z4AD since it does not have "freeze" feature.
- 13 **DTV/TV**: Press to choose DTV/TV (high definition channels) directly.
- 14 **Guide (Digital TV Timetable)**: Press to display the (Digital TV Timetable) mode. Press again to exit.
- 15 **DOT**: Press number buttons with it to select the channels directly in DTV. (i.e. channel 108-1 would need the dot button after the 8)
- 16 **Recall**: Press to return to previous channel. (Only for TV)



Operating Instructions

- 17 **Source:** Press to select the signal source, such as TV, AV, S-Video, YPbPr, DVD, VGA, HDMI 1 or HDMI 2.
- 18 **Enter:** Press to enter or confirm.
- 19 **VOL +/-:** Press to adjust the audio levels.
- 20 **CH +/-:** Press to select the channel forward or backward.
- 21 **▲, ▼, <, >:** Press ▲, ▼, <, > to move the on-screen cursor.
- 22 **Menu:** Press to enter into the on-screen setup menu, press again to exit.
- 23 **◀◀, ▶▶:** Press to skip the backward or forward.
- 24 **◀◀, ▶▶:** Press to search the backward or forward.
- 25 **▶/||:** Press to play or pause the DVD disc.
- 26 **■:** Press to stop playing the disc.
- 27 **▲:** Press to stop playing the disc.
- 28 **DVD Menu:** Press to return DVD disc menu.
- 29 **Prog.:** Press to display the program menu. Press it again to exit.
- 30 **Title:** Press to display to DVD disc title.
- 31 **Repeat:** When in DVD mode, press to cycle through the options: CHAPTER, TITLE, ALL and nothing. While in CD mode, the options are: TRACK, ALL.
- 32 **Subtitle:** Press to select desired DVD subtitle.
- 33 **Setup:** Press to display a setup page. Press it again to exit menu.
- 34 **Audio:** Press to select desired audio track.
- 35 **DVD Info:** Press to display DVD information.
- 36 **Angle/Exit:** Press this button to select desired viewing angle of the Video (disc feature).
- 37 **Favorite:** Press to select the favorite channel from list.
- 38 **Add/Erase:** Press to add or delete favorite channels.
- 39 **Pic Size:** Press to change the screen size, such as Full, 4:3. (Note: When in VGA mode, it can only select "Full".)
- 40 **Zoom:** This button is not in use.
- 41 **Red:** This is a special control function for the Digital tuner.
- 42 **Green:** This is a special control function for the Digital tuner.
- 43 **Yellow:** This is a special control function for the Digital tuner.
- 44 **Blue:** This is a special control function for the Digital tuner.

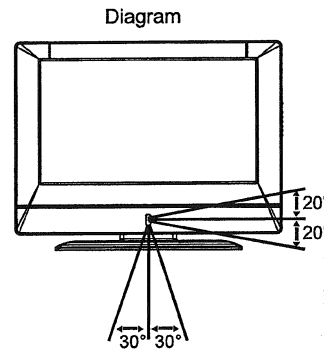


Insertion of Batteries:

- Turn the remote control upside down, press and slide off the battery cover.
- Insert two 1.5V (AAA) batteries into the compartment, take care to observe the \oplus and \ominus markings indicated inside.
- Replace the cover and slide in reverse until the lock snaps.

Range of Remote Control

- Ensure the remote control is pointed towards the remote control window on the display unit.
- No obstacles should be placed between the remote control and the remote control window.
- The effective receiving range for the signal is within 5-8 meters from the front of the remote control window, and 30° to the left or right side and 20° above or below the control window.



Care For Remote Control

- Avoid spilling liquids on the remote.
- Avoid dropping or otherwise jarring the remote.
- Always store the remote control at dry and normal room temperature place.
- If the remote is not performing satisfactorily, replace the batteries.
The batteries should be replaced after one year.
- If the remote control will be idled for a long time (over 1 month), please take out the batteries to avoid leakage from the batteries.
- Clean up the entire remote control especially the battery compartment if any leakage found.
- Do not mix different kind of new and used batteries together to avoid leakage.