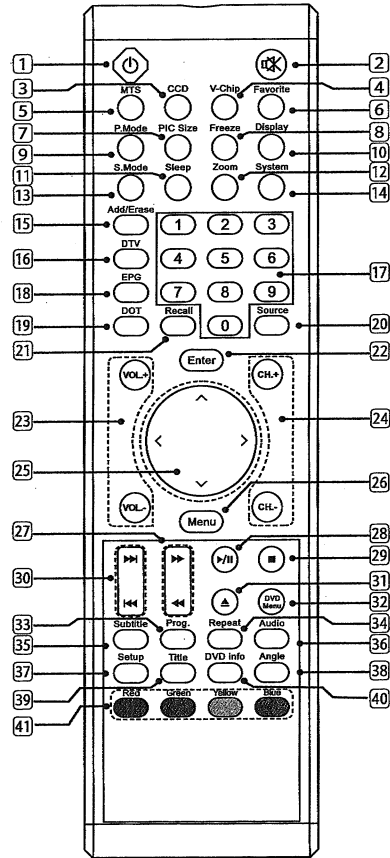


Operating Instructions

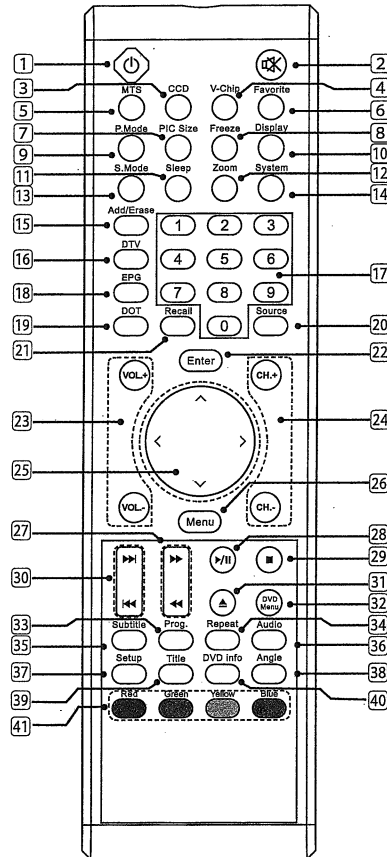
4.4 Remote Control

- ① **Power** (⏻): Press to turn on and off.
- ② **Mute** (🔇): Press to mute the sound. Press again or press **VOL+/-** to restore the sound.
- ③ **CCD**: Press to select the Closed Caption mode.
- ④ **V-Chip**: Press to select the child protect mode.
- ⑤ **MTS**: Press repeatedly to cycle through the Multi-channel TV sound (MTS) options: Mono, Stereo and SAP (Second Audio Program).
- ⑥ **Favorite**: Press repeatedly to cycle through the favorite channel list.
- ⑦ **PIC.Size**: Press to change the screen size, such as Full, 4:3, Panoramic. (Note: In VGA mode, it can select picture size is Full. While in DTV mode, it can select picture size is: Full and 4:3.)
- ⑧ **Freeze**: Press to freeze the picture, press again to restore the picture. (This button is not available for VGA mode.)
- ⑨ **P.Mode**: Press repeatedly to cycle through the picture mode: Hi-Bright, User, Cinema, Normal and Vivid.
- ⑩ **Display**: Press to display the channel information and it disappear after 3 seconds.
- ⑪ **Sleep**: Press repeatedly until it displays the time in minutes (15 Min, 30 Min, 60Min, 90 Min ,120 Min and, OFF) that you want the TV to remain on before shutting off. To cancel sleep time, press **Sleep** button repeatedly until sleep OFF appears.
- ⑫ **Zoom**: Press to zoom the image. (This button is not available for VGA mode.)
- ⑬ **S.Mode**: Press repeatedly to cycle through the sound mode: Normal, News, Cinema, Concert and User.
- ⑭ **System**: Press repeatedly to cycle through the system options: AUTO,



NTSC3.58 and PAL. (This button is activate for AV, S-Video input source.)

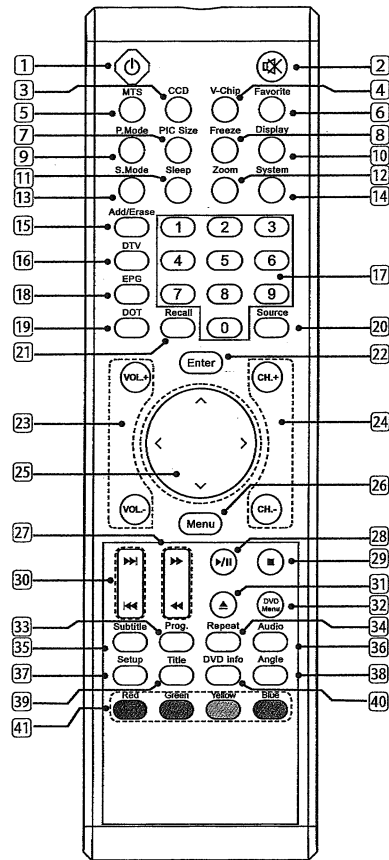
- 15 **Add/Erase:** Press to add or delete favorite channel.
- 16 **DTV:** Press to select Digital TV mode.
- 17 **0~9 Number Buttons:** In TV mode, press 0~9 to select a channel; the channel changes after 2 seconds. In DVD mode, press 0~9 to input the items.
- 18 **EPG:** Press to display EPG (Electronic Program Guide) menu.
- 19 **DOT:** Press number buttons with it to select the channels directly in DTV.
- 20 **Source:** Press to select the signal source.
- 21 **Recall:** Press to return previous channel.
- 22 **Enter:** To select an item, press Enter to confirm.
- 23 **VOL +/-:** Press to adjust the volume.
- 24 **CH +/-:** Press to scan through channels. To scan quickly through channels, press and hold down either channels.
- 25 **<, ^, v, >:** Press <, ^, v, > to move the on-screen cursor.
- 26 **Menu:** Press to enter on-screen setup menu, press again to exit.
- 27 **◀◀, ▶▶:** Press to search the backward or forward.
- 28 **▶/||:** Press to play or pause the DVD disc.
- 29 **■:** Press to stop playing the disc.
- 30 **◀◀, ▶▶:** Press to skip the backward or forward.
- 31 **▲:** Press to open or close the disc tray.
- 32 **DVD Menu:** Press to return DVD disc menu.
- 33 **Prog.:** Press to display the program menu. Press it again to exit.
- 34 **Repeat:** Press repeatedly to cycle through the options: CHAPTER, TITLE, ALL and nothing.
- 35 **Subtitle:** Press to select desired DVD subtitle.



Operating Instructions

- 36 **Audio:** Press to select desired audio track.
- 37 **Setup:** Press to display a menu. Press it again to exit menu.
- 38 **Angle:** Press to select desired viewing angle of the Video (disc feature).
- 39 **Title:** Press to display to DVD disc title.
- 40 **DVD Info:** Press to display DVD information.
- 41 **Color Buttons:**
 (Only available in DTV EPG mode)
Red: Press this button to access the red item or page.
Blue: Press this button to access the blue item or page.
Green: Press this button to access the green item or page.
Yellow: Press this button to access the yellow item or page.

Note: Press CH+/- on the remote control can turn on TV set from last preview mode.

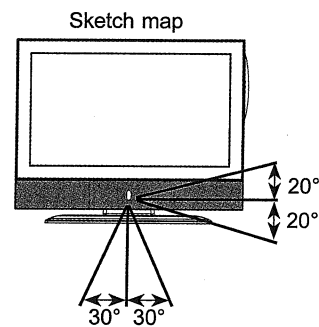


Insertion of Batteries

- Turn the remote control upside down, press and slide off the battery cover.
- Insert two 1.5V (AAA) batteries into the compartment, take care to observe the \oplus and \ominus markings indicated inside.
- Replace the cover and slide in reverse until the lock snaps.

Range of Remote Control

- Ensure the remote control is pointed towards the Remote control window on the display unit.
- No obstacles should be placed between the remote control and the remote control window.
- The effective receiving range for the signal is within 5-8 meters from the front of the remote control window, and 30° to the left or right side and 20° above or below the control window.



Care For Remote Control

- Avoid spilling liquids on the remote.
- Avoid dropping or otherwise jarring the remote.
- Always store the remote control at dry and normal room temperature place.
- If the remote is not performing satisfactorily, replace the batteries. The batteries should be replaced after one year.
- If the remote control will be idled for a long time (above 1 month) take out the batteries to avoid leakage from the batteries.
- Clean up the entire remote control especially the battery compartment if any leakage found.
- Do not mix using different kind of new and used batteries together to avoid leakage.