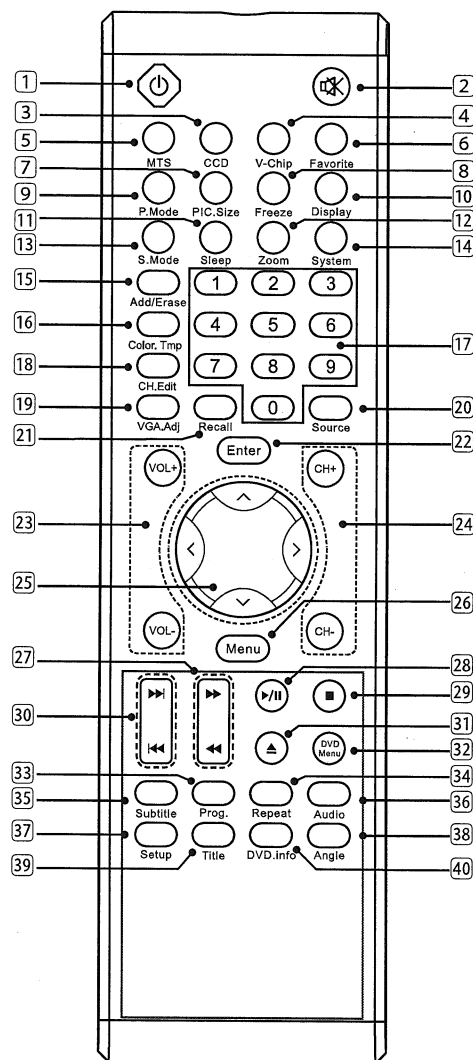


Remote Control

- 1 Power (⏻): Press to turn on and off.
- 2 Mute (⏸): Press to mute the sound. Press again or press ▲, ▼ to restore the sound.
- 3 CCD: Press to select the Closed Caption mode.
- 4 V-CHIP: Press to select the child protect mode.
- 5 MTS: Press repeatedly to cycle through the Multi-channel TV sound (MTS) options: Mono, Stereo and SAP (Second Audio Program).
- 6 Favorite: Press repeatedly to cycle through the favorite channel list.
- 7 PIC.Size: Press repeatedly to cycle through the picture size that best corresponds your viewing requirements: Normal, Full, Wide1, Wide2, Wide3, 4:3, No scale, Panoramic and Normal.
- 8 Freeze: Press to freeze the picture, press again to restore the picture.
- 9 P.Mode: Press repeatedly to cycle through the picture mode: Hi-Bright, User, Dark, Normal and Vivid.
- 10 Display: Press to display the channel information and it disappear after 3 seconds.
- 11 Sleep: Press repeatedly until it displays the time in minutes (5 Min, 10 Min, 15 Min, 30 Min, 60 Min, 90 Min, 120 Min and, OFF) that you want the TV to remain on before shutting off. To cancel sleep time, press Sleep button repeatedly until sleep OFF appears.
- 12 Zoom: Press to zoom the image.
- 13 S.Mode: Press repeatedly to cycle through the sound mode: Normal, News, Cinema, Flat and User.
- 14 System: Press repeatedly to cycle through the system options: AUTO and NTSC3.58. (This button is activate for AV, S-Video input source.)
- 15 Add/Erase: Press to add or delete favorite channel.
- 16 Color Tmp: Press to select the color temperature.
- 17 0~9 Number Buttons: In TV mode, press 0~9 to select a channel; the channel changes after 2 seconds. In DVD mode, press 0~9 to input the items.
- 18 CH Edit: Press to edit channel name.
- 19 VGA Adj: Press to auto adjust VGA position.
- 20 Source: Press to select the signal source, such as TV, AV, S-Video, Component, DVD, or VGA.
- 21 Recall: Press to return previous channel.
- 22 Enter: To select an item, press ENTER to confirm.
- 23 VOL + / - : Press to adjust the volume.
- 24 CH + / - : Press to scan through channels. To scan quickly through channels, press and hold down either channels.
- 25 <, ▲, ▼, >: Press <, ▲, ▼, > to move the on-screen cursor.



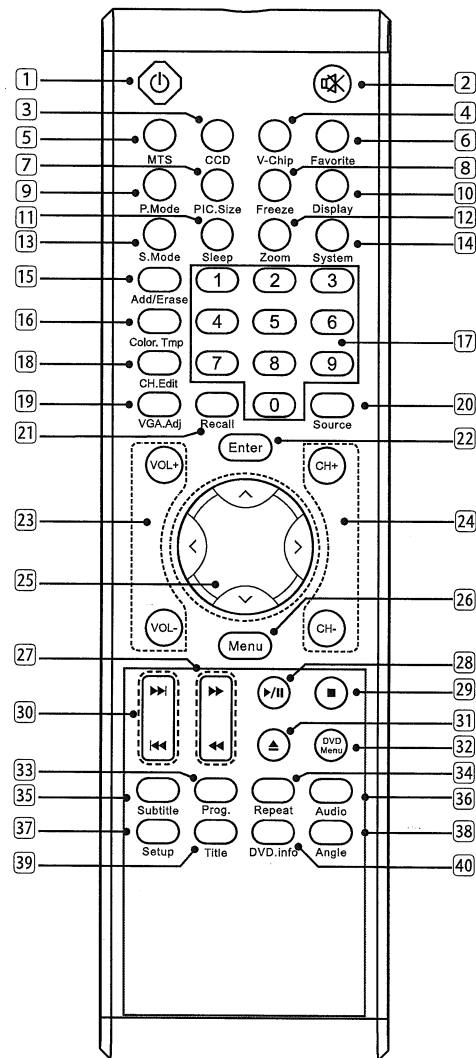
(Continued on next page)

OPERATING INSTRUCTIONS

REMOTE CONTROL

- 26 Menu: Press to enter on-screen setup menu, press again to exit.
- 27 ◀▶ : Press to skip the forward or backward.
- 28 ▶/|| : Press to play or pause the DVD disc.
- 29 ■ : Press to stop playing the disc.
- 30 ◀◀ ▶▶ : Press to search the forward or backward.
- 31 ▲ : Press to open or close the disc tray.
- 32 DVD Menu: Press to return DVD disc menu.
- 33 Prog: Press to display the program menu. Press it again to exit.
- 34 Repeat: Press repeatedly to cycle through the options: CHAPTER, TITLE, ALL and nothing.
- 35 Subtitle: Press to select desired DVD subtitle.
- 36 Audio: Press to select desired audio track.
- 37 Setup: Press to display a menu. Press it again to exit menu.
- 38 Angle: Press to select desired viewing angle of the Video (disc feature).
- 39 Title: Press to display to DVD disc title.
- 40 DVD Info: Press to display DVD information.

Note: Press CH +/- on the remote control can turn on TV set from last preview mode.

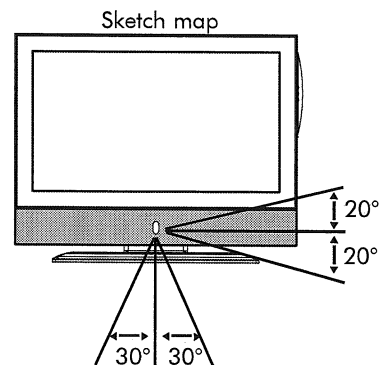


Insertion of Batteries

- Turn the remote control upside down, press and slide off the battery cover.
- Insert two 1.5V (AAA) batteries into the compartment, take care to observe the ⊕ and ⊖ markings indicated inside.
- Replace the cover and slide in reverse until the lock snaps.

Range of Remote Control

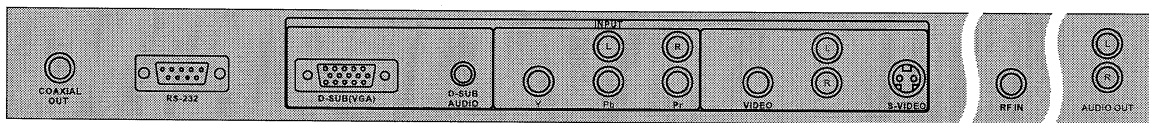
- Ensure the remote control is pointed towards the remote control window on the display unit.
- No obstacles should be placed between the remote control and the remote control window.
- The effective receiving range for the signal is within 5-8 meters from the front of the remote control window, and 30° to the left or right side and 20° above or below the control window.



Care For Remote Control

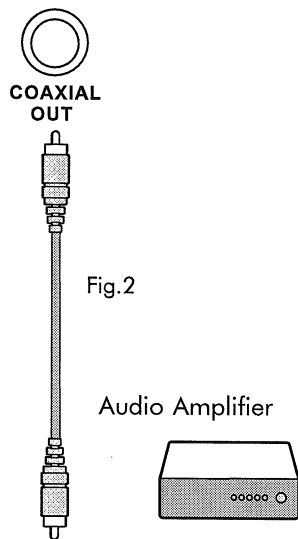
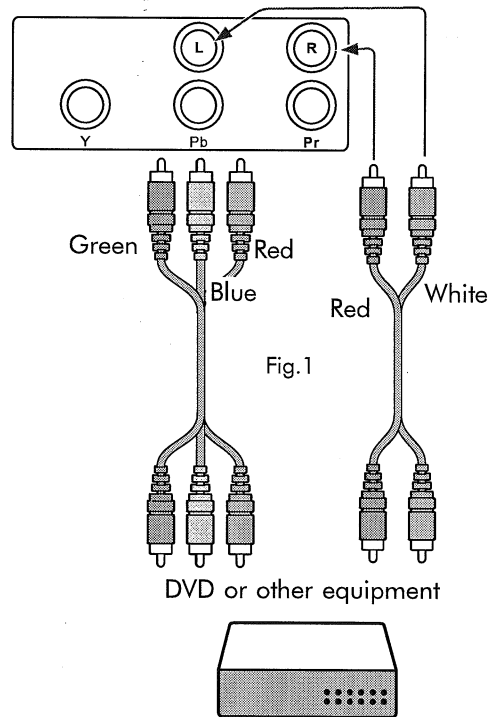
- Avoid spilling liquids on the remote.
- Avoid dropping or otherwise jarring the remote.
- Always store the remote control at dry and normal room temperature place.
- If the remote is not performing satisfactorily, replace the batteries. The batteries should be replaced after one year.
- If the remote control will be idled for a long time (above 1 month) take out the batteries to avoid leakage from the batteries.
- Clean up the entire remote control especially the battery compartment if any leakage found.
- Do not mix using different kind of new and used batteries together to avoid leakage.

4. Connect Accessory Devices



Connecting a DVD player or other equipment
Switch off LCD TV and external equipment before connecting cables.

1. Connect a DVD player or other equipment's Component Video Out (Y,Pb,Pr) to the LCD TV's corresponding Component In (Y,Pb,Pr) terminal. (Fig.1)
2. Connect a DVD player's Audio Out to the TV Component L/R terminal.
3. Press Power to turn on the LCD TV. Turn on external equipment also.
4. Press Source to select COMPONENT signal source.



Connecting a Audio Amplifier
Switch off TV and external equipment before connecting cables.

1. Connect to the LCD TV 's Coaxial Out to the Audio Amplifier Coaxial In terminal by a coaxial cable. (Fig.2)
2. Press Power to turn on the TV. Turn on external equipment also.
3. Press Source to select DVD signal source, and set the Audio Amplifier to coaxial input mode.
4. When DVD is playing, you can enjoy coaxial digital audio by Audio Amplifier.