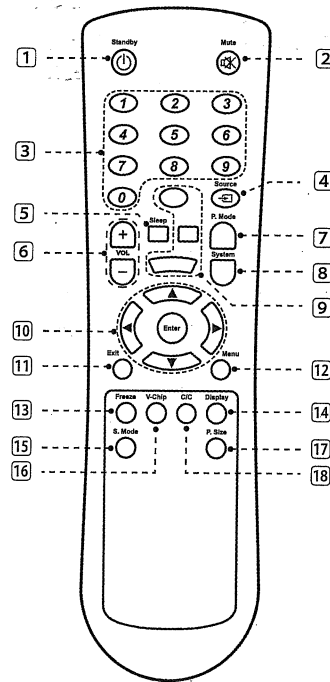


- J. **S-Video INPUT:** Connects to the S-Video out jack of your VCR or other video equipment that has S-Video.
- S-Video Audio Input:** Connects the audio input terminal to the audio output terminal of the S-Video output device.
- K. **Speaker OUTPUT:** Can be used to connect external speakers with 12Ω impedance to the product. Rated audio output power 5W + 5W.
- L. **AC INLET:** Connect the power cable to the product then connect the main plug to the wall outlet.

### 4.3 Remote Control

- ① **Standby(⏻):** Press this button to turn off to standby and turn on from standby.
- ② **Mute(⏸):** Press this button to quiet the sound system. Press again to reactivate the sound system.
- ③ **Number buttons:** Use these buttons to enter the password.
- ④ **Source:** Press this button to select the signal sources. AV, S-Video, YPbPr 1, YPbPr 2, VGA or HDMI.
- ⑤ **Sleep:** Press this button to select the sleep time, such as "15 Min, 30 Min, 60 Min, 90 Min, 120 Min or off".
- ⑥ **VOL +/- :** Press these buttons to increase or decrease the volume.
- ⑦ **P. Mode :** Press the button to select different picture effect, such as "Normal, Vivid, Hi-Bright, User or Cinema".
- ⑧ **System:** Press this button to select the color system, such as "AUTO or NTSC 3.58". (Only for AV or S-Video)
- ⑨ These buttons have no function. Pressing the button will display: "This button is not in use."
- ⑩ **Enter :** Press to enter or confirm.
  - ◀ / ▶ : They are used as ◀ / ▶ buttons in the OSD Menu screen.
  - ▲ / ▼ : They are used as ▲ / ▼ buttons in the OSD Menu screen.

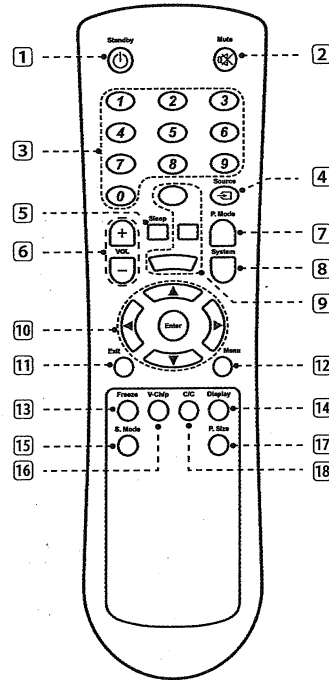


(Continued on next page)

# Operating Instructions

---

- 11 **Exit:** Press this button to exit the OSD Menu.
- 12 **Menu:** Press this button to pop up the OSD Menu and press it again to exit the OSD Menu.
- 13 **Freeze:** Press this button to hold on the screen. Press again to normal.
- 14 **Display:** Press the button to display the source information.
- 15 **S. Mode:** Press the button to select different sound effect, such as "Normal, News, Cinema, Concert or User".
- 16 **V-Chip:** Press this button to enter the V-Chip Function. (Only for AV or S-Video)
- 17 **P. Size:** Press this button, the picture will change according to Full, 4:3 or Panoramic. (inactive for VGA)
- 18 **C/C:** Press this button to enter the Closed Caption Function. (Only for AV or S-Video)



### Insertion of Batteries:

- Turn the remote control upside down, press and slide off the battery cover.
- Insert two 1.5V (AAA) batteries into the compartment, take care to observe the ⊕ and ⊖ markings indicated inside.
- Replace the cover and slide in reverse until the lock snaps.