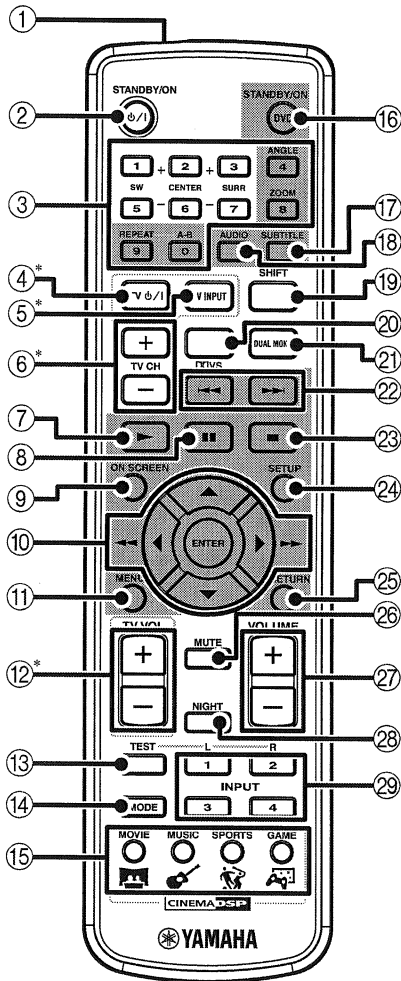


■ Remote control

You can control both the AV amplifier (AVC-S30) and DVD player (DVD-S30) with the supplied remote control. Read the following for the function of each button. (The buttons shaded in the illustration below are used to control the DVD-S30. For details on DVD-S30 operations, refer to the "DVD-S30 OWNER'S MANUAL".)



* To control your TV with these buttons, you need to set the appropriate remote control code. For details, refer to "DVD-S30 OWNER'S MANUAL".

① **Infrared signal transmitter**

Sends signals to the units.

② **STANDBY/ON (⏻/⏻)**

Turns the AVC-S30 on, or set it to the standby mode.



This unit consumes a small amount of power during the standby mode.

③ **Number buttons (1 to 9, 0)**

Input numerals to specify parameters such as track or chapter numbers while operating the DVD-S30.

④ **TV ⏻/⏻***

Turns the TV on, or set it to the standby mode.

⑤ **TV INPUT***

Switches the TV inputs.

⑥ **TV CH +/-***

Switches the TV channels.

⑦ **▶ (Play)**

Starts disc playback on the DVD-S30.

⑧ **⏸ (Pause)**

Pauses disc playback on the DVD-S30.

⑨ **ON SCREEN**

Displays the On-Screen Menu on the TV screen while operating the DVD-S30.

⑩ **▲, ▼, ◀, ▶, ENTER**

Operates the On-Screen Menu or specify various parameters while operating the DVD-S30. Press ▲ to slow reverse and press ▼ to slow forward on the DVD-S30.

⏏, ⏏ (Search)

Fast forwards/fast reverses playback on the DVD-S30 with a specific speed.

⑪ **MENU**

Displays the DVD menu on the TV screen while playing back a DVD on the DVD-S30. Turns on/off the Playback Control menu on the TV screen while playing back a VCD on the DVD-S30.

⑫ **TV VOLUME +/-***

Adjusts the TV volume level.

⑬ **TEST**

Outputs a test tone. (page 15)

⑭ **MODE**

Switches between the Dolby Pro Logic II modes. (page 13)

⑮ **CINEMA DSP buttons**

Selects a CINEMA DSP program. (page 13)

⑯ **STANDBY/ON (DVD)**

Turns the DVD-S30 on, or set it to the standby mode.

⑰ SUBTITLE

Selects the subtitle language of the DVD video while operating the DVD-S30.

⑱ AUDIO

Selects the audio language of the DVD video or the audio channel setting of the VCD and SVCD while operating the DVD-S30.

⑲ SHIFT

While holding down SHIFT, press a button below to enable the corresponding operation.

SW +/-: Adjusts the subwoofer channel volume. (page 16)

CENTER +/-: Adjusts the center speaker channel volume. (page 16)

SURR +/-: Adjusts the surround speaker channel volume. (page 16)

ANGLE: Selects the disc viewing angle while operating the DVD-S30.

ZOOM: Selects the zoom setting of the DVD while operating the DVD-S30.

REPEAT: Enables the Repeat Play mode on the DVD-S30.

A-B: Enables the A-B Repeat mode on the DVD-S30.

⑳ DVVS (Dolby Virtual Speaker)

Turns on/off the DVS mode. (page 13)

㉑ DUAL MONO

This button is not used for U.K., Australia, and Asia models.

㉒ ⏮, ⏭ (Skip)

Skips to the start of current track or next track while operating the DVD-S30.

Press and hold ⏮ to fast reverse or ⏭ to fast forward disc playback on the DVD-S30.

㉓ ■ (Stop)

Stops disc playback on the DVD-S30.

㉔ SETUP

Displays or closes the Setup menu on the TV while operating the DVD-S30.

㉕ RETURN

Returns the DVD menu to the previous screen while operating the DVD-S30.

㉖ MUTE

Turns off the volume.

㉗ VOLUME +/-

Adjusts the overall volume level.

㉘ NIGHT

Turns on/off the Night Listening mode. (page 14)

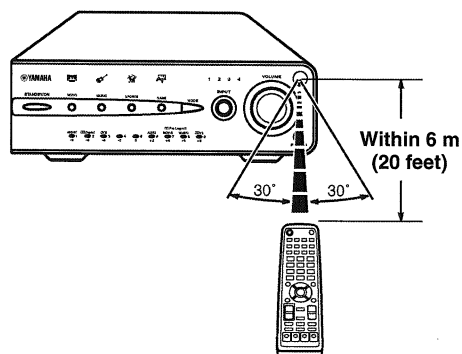
㉙ INPUT buttons

Select an input source.

L/R buttons

While a test tone is output, press L to set the orientation of the virtual surround speaker (L), and press R to set the orientation of the virtual surround speaker (R). (page 16, 17)

Using the Remote Control



Use the remote control within 6 m (20 feet) of the AV amplifier and point it toward the remote control sensor.

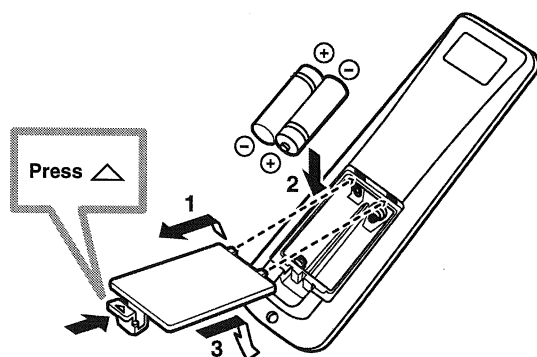
Notes

- Be careful not to spill liquid on the remote control.
- Be careful not to drop the remote control.
- Do not leave the remote control in the following places:
 - hot or humid places, such as near a heater or in a bathroom
 - extremely cold places
 - dusty places

PREPARATION

Replacing the batteries

If the batteries grow old, the effective operation distance of the remote control decreases considerably. If this happens, replace the batteries with two new ones as soon as possible.



1 Press the \triangle mark on the battery cover and slide off the cover.

2 Insert the two new batteries (AA, R06, UM-3) into the battery compartment.

Make sure you insert the batteries according to the polarity markings (+ and -).

3 Close the battery cover.

Notes

- Do not use an old battery together with new one.
- Do not use different types of batteries (for example, alkaline and manganese) together. Each type of battery has its own characteristics even if they are similar in shape.
- If the batteries run out, immediately remove them from the remote control to prevent an explosion or acid leak.
- Dispose of the batteries according to the regional regulations.
- If a battery starts leaking, dispose of it immediately. Be careful not to let leaking battery acid come into contact with your skin or clothing. Before inserting new batteries, wipe the compartment clean.
- Replace the batteries within two minutes to preserve the memory in the remote control.